

# FLEXIDOME AN corner 9000

www.boschsecurity.com



**BOSCH**

Invented for life



- ▶ Corner-mount, no-grip design for maximum safety
- ▶ Ultra high resolution 960H sensor
- ▶ Views an entire small room, including directly beneath
- ▶ 940 nm illuminator for covert night vision to 9 m (30 ft)
- ▶ IP65 water resistance

The FLEXIDOME corner 9000 IR is a vandal-resistant, corner-mount camera featuring a no-grip, anchor-free design. This water-resistant dome camera uses a high performance 960H 1/3-inch CCD sensor with a resolution of 720TVL. The sensor, the integrated infrared illumination, and the advanced image processing technology combine to allow 24/7 effective professional surveillance in high risk, vandal-prone applications under any ambient lighting conditions, even completely dark rooms.

The ultra-wide lens enables the camera to view the entirety of a small room, including the floor beneath the camera. The camera is impossible to grip or hang from, providing maximum safety for applications such as waiting rooms, elevators and psychiatric care rooms.

## System overview

### Corner-mount, vandal-resistant design

The innovative design allows a perfectly flush fit into the corner of a room that protects against even the most brutal attempt to destroy, detach or disable the camera. The sharp 45° angle hides all wiring and delivers complete coverage of a 4.5 x 4.5 m

(15 x 15 ft) room, including below the camera itself. The camera has no anchor points for maximum safety in environments with at-risk individuals.

### Infrared illumination

The camera harnesses the power of infrared illumination to deliver outstanding images day or night. Infrared-emitting LEDs achieve covert, effective night vision for the most advanced level of night vision performance available today. With the intensity-adjustable infrared LEDs, foreground hotspots and underexposed backgrounds are eliminated.

### True day/night switching

The camera incorporates mechanical filter technology for vivid daytime color and exceptional night-time imaging under infrared illumination while maintaining sharp focus under all lighting conditions. The camera also features outstanding spectral response in the near infrared field for excellent active-infrared night vision.

### Ease of installation

No focus or pan/tilt adjustments are required as the camera, with its wide angle lens, provides complete coverage of a 4.5 x 4.5 m (15 x 15 ft) room. The camera can be supplied with power from either +12 VDC or 24 VAC power supplies.

Six independent, pre-programmed operating modes support typical applications, but are fully programmable for individual situations. Switching between modes is easy via Bilinx or the external alarm input.

Several other features are available that make installation easy:

- Video BNC and power connectors on flying leads.
- A built-in test pattern generator produces signals to test and fault-find cables.
- A built-in OSD control panel allows on-site adjustment of camera settings.
- A multi-language On-Screen Display (OSD).

### Bilinx technology

Bilinx is a bidirectional communication capability embedded in the video signal of this camera. Installers can check status, change camera settings and even update firmware from virtually anywhere along the video cable. Bilinx reduces service and installation time, provides for more accurate set-up and adjustment, and improves overall performance. In addition, Bilinx uses the standard video cable to transmit alarm and status messages, providing superior performance without additional installation steps.

### Ideal picture performance

There are many settings available to help fine-tune the picture performance to match your installation environment. These include:

- Smart BLC – automatically and dynamically compensates for strong backlight
- Peak White Invert – reduces glare from highlight areas
- Contrast and sharpness – enhance details in bright or misty scenes
- SensUp – sensitivity is dramatically enhanced by a factor of 10
- Default shutter – improves the motion performance in auto exposure mode
- Dynamic noise reduction – dynamically reduces noise in the picture

### Privacy masking

Fifteen different privacy zones allow specific parts of a scene to be blocked. Pre-program any part of the scene to be masked.

### Video Motion Detection

The built-in video motion detector allows you to select four programmable areas with sensitivity thresholds. When motion is detected, alarms can be displayed in the video signal, the output relay can be closed or an alarm message can be transmitted via Bilinx.

### Typical applications

- Waiting rooms
- Hospital recovery rooms
- Psychiatric care rooms
- Vandal-prone areas

### Certifications and approvals

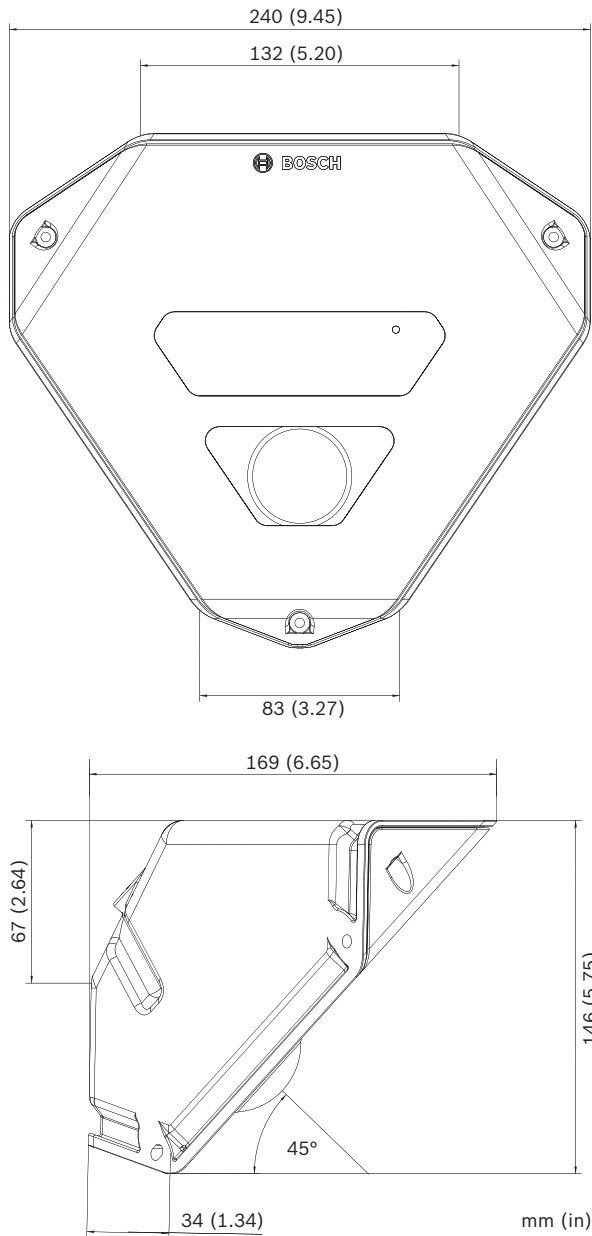
| Standards              |                                     |
|------------------------|-------------------------------------|
|                        | IEC 62471                           |
|                        | EN 60950-1                          |
|                        | UL 60950-1                          |
|                        | CAN/CSA-C22.2 NO. 60950-1           |
|                        | EN 50130-4                          |
|                        | EN 50130-5                          |
|                        | FCC Part15 Subpart B, Class B       |
|                        | EMC directive 2004/108/EC           |
|                        | EN 55022/24 class B                 |
|                        | VCCI J55022 V2 / V3                 |
|                        | AS/NZS CISPR 22 (equal to CISPR 22) |
|                        | ICES-003 class B                    |
|                        | EN 50121-4                          |
| Product certifications | CE, FCC, UL, cUL, C-tick, CB, VCCI  |
| Ingress protection     | IP65                                |
| Impact protection      | IK10                                |

| Region | Certification |
|--------|---------------|
| Europe | CE            |
| USA    | UL            |

**Installation/configuration notes**

**Dimensions**



**Technical specifications**

**Electrical**

|                   |  |
|-------------------|--|
| Input voltage     | +12 VDC or 24 VAC  |
| Power consumption | 6.48 W max. (12 VDC)<br>12.24 VA max. (+24 VAC)            |
| Image Sensor      | 960H, 1/3" CCD, sensor resolution 720TVL, WDR dual shutter |
| System            | PAL or NTSC  |

|                          |                                       |
|--------------------------|---------------------------------------|
| Total pixels (H x V)     | 1028 x 596 (PAL)<br>1028 x 508 (NTSC) |
| Effective pixels (H x V) | 976 x 582 (PAL)<br>976 x 494 (NTSC)   |

**Sensitivity (3200K, scene reflectivity 89%, F1.2)"**

|                       | Full video (100 IRE) | Usable picture (50 IRE) | Usable picture (30 IRE) |
|-----------------------|----------------------|-------------------------|-------------------------|
| Color                 | 0.5 lx (0.0465 fc)   | 0.09 lx (0.0837 fc)     | 0.04 lx (0.00372 fc)    |
| Color + SensUp 10x    | 0.05 lx (0.00465 fc) | 0.009 lx (0.000837 fc)  | 0.004 lx (0.000372 fc)  |
| Monochrome            | 0.2 lx (0.0186 fc)   | 0.04 lx (0.00372 fc)    | 0.02 lx (0.00186 fc)    |
| Monochrome SensUp 10x | 0.02 lx (0.00186 fc) | 0.004 lx (0.000372 fc)  | 0.002 lx (0.000186 fc)  |
| Monochrome + IR on    | 0.0 lx               | 0.0 lx                  | 0.0 lx                  |

|                         |  |
|-------------------------|--|
| Signal-to-Noise Ratio   | >50 dB   |
| Video Output            | Composite video 1 Vpp, 75 ohm  |
| Synchronization         | Internal, Line Lock  |
| Shutter                 | Auto (1/50 [1/60] to 1/100000) selectable, fixed, flickerless, default |
| Sensitivity Up          | Adjustable from Off up to 10x  |
| True Day/Night          | Color, Mono, Auto  |
| Dynamic Engine          | XF-Dynamic, HDR, Smart BLC   |
| Dynamic Range           | 94 dB (WDR)  |
| Dynamic Noise Reduction | 2D-NR, 3D-NR   |
| AGC                     | AGC On or Off (0 – 40 dB) selectable                                   |
| Smart BLC               | On/Off   |
| Peak White Invert       | On/Off   |
| White Balance           | ATW Indoor, ATW Outdoor, ATW hold and Manual                           |
| Contrast Enhancement    | Low, Medium, High  |
| Sharpness               | Sharpness enhancement level selectable                                 |
| Camera ID               | 17 character editable string, position selectable                      |
| Test Pattern Generator  | Color bar, Raster, Impulse, Cross Impulse, Cross hatch,                |
| Modes                   | 6 preset programmable modes  |
| Remote Control          | Bilinx coaxial bi-directional communication                            |
| Video Motion Detection  | 4 areas, fully programmable  |

|                          |   |
|--------------------------|---|
| Privacy Masking          | 15 independent areas, fully programmable                                  |
| E-Zoom                   | Up to 16x   |
| Digital Image Stabilizer | On/Off  |
| OSD Language             | English, French, German, Spanish, Portuguese, Simplified Chinese, Russian |

### Night vision

|             |                                |
|-------------|--------------------------------|
| IR LEDs     | 3 high efficiency LEDs, 940 nm |
| IR coverage | 9 m (30 ft)                    |

### Lens

|                          |                    |
|--------------------------|--------------------|
| Lens type                | Fixed 2.0 mm, F2.0 |
| Lens mount               | Board mounted      |
| Horizontal field of view | 139°               |
| Vertical field of view   | 104°               |

### Connection

|                  |   |
|------------------|---|
| Analog video out | BNC connector (1 Vpp 75 Ohm CVBS, PAL/NTSC)     |
| Alarm input      | 0 to 3.3 VDC, low active or high active         |
| Alarm output     | 60 VDC or 60 VAC (max), load current: 1 A (max) |

### Mechanical

|                        |  |
|------------------------|--|
| Dimensions (W x H x D) | 240 x 146 x 169 mm<br>(9.45 x 5.75 x 6.65 in.) |
| Weight                 | 1840 g (4.06 lb) approx.                       |

### Environmental

|                       |   |
|-----------------------|---|
| Operating temperature | -10 °C to +50 °C (14 °F to +122 °F)           |
| Storage temperature   | -30 °C to +60 °C (-22 °F to +140 °F)          |
| Humidity              | 20% to 90% relative humidity (non condensing) |

## Ordering information

### FLEXIDOME AN corner 9000

960H integrated infrared analog corner-mount camera. No-grip; IP65; IK10; 12VDC/24VAC; true WDR; fixed 2 mm lens; true day/night; 720 TVL; 4-zone motion detect; privacy mask; PAL  
Order number **VCN-9095-F111**

### FLEXIDOME AN corner 9000

960H integrated infrared analog corner-mount camera. No-grip; IP65; IK10; 12VDC/24VAC; true WDR; fixed 2 mm lens; true day/night; 720 TVL; 4-zone motion detect; privacy mask; NTSC  
Order number **VCN-9095-F121**

### Accessories

#### S1460 Service/Monitor Cable

2.5 mm jack to BNC video connector cable. 1 m  
Order number **S1460**

#### UPA-2420-50 Power Supply

Power supply for cameras. 220 VAC, 50 Hz In; 24 VAC, 20 VA Out  
Order number **UPA-2420-50**

#### UPA-2430-60 Power Supply

Power supply for camera. 120 VAC, 60 Hz; 24 VAC, 30 VA Out  
Order number **UPA-2430-60**

#### NCA-CMT-GF FLEXIDOME corner 9000 Grey faceplate

Gray faceplate with LED window and transparent bubble  
Order number **NCA-CMT-GF**

### Software Options

#### VP-CFGSFT Configuration Software

Configuration software for cameras using Bilinx. VP-USB adaptor  
Order number **VP-CFGSFT**

**Represented by:**

**Americas:**

Bosch Security Systems, Inc.  
130 Perinton Parkway  
Fairport, New York, 14450, USA  
Phone: +1 800 289 0096  
Fax: +1 585 223 9180  
security.sales@us.bosch.com  
www.boschsecurity.us

**Europe, Middle East, Africa:**

Bosch Security Systems B.V.  
P.O. Box 80002  
5617 BA Eindhoven, The Netherlands  
Phone: + 31 40 2577 284  
Fax: +31 40 2577 330  
emea.securitysystems@bosch.com  
www.boschsecurity.com

**Asia-Pacific:**

Robert Bosch (SEA) Pte Ltd, Security  
Systems  
11 Bishan Street 21  
Singapore 573943  
Phone: +65 6571 2808  
Fax: +65 6571 2699  
apr.securitysystems@bosch.com  
www.boschsecurity.asia

**China:**

Bosch (Shanghai) Security Systems Ltd.  
201 Building, No. 333 Fuquan Road  
North IBP  
Changning District, Shanghai  
200335 China  
Phone +86 21 22181111  
Fax: +86 21 22182398  
www.boschsecurity.com.cn

**America Latina:**

Robert Bosch Ltda Security Systems Division  
Via Anhanguera, Km 98  
CEP 13065-900  
Campinas, Sao Paulo, Brazil  
Phone: +55 19 2103 2860  
Fax: +55 19 2103 2862  
latam.boschsecurity@bosch.com  
www.boschsecurity.com