



Am53 2MP HD Analog Dome, Motorized 2.7- 13.5mm

Features

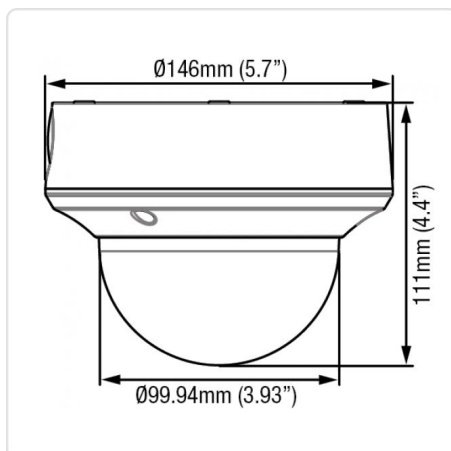
- ✓ 2MP HD Analog Camera
- ✓ HD1080P Video Output
- ✓ HD-TVI, HD-AHD, HD-CVI supported
- ✓ True WDR
- ✓ 2.7 - 13.5mm motorized vari-focal lens
- ✓ True Day/Night, OSD menu, 3D DNR, Smart IR
- ✓ Up to 40m IR distance

Description

i3 's HD-over-Coax AM53 camera is designed for use with existing coaxial cable infrastructure, while providing exceptional HD image, comparable to megapixel IP cameras. AM53 offers 1080P video resolution when used in combination with HR16 or Veo16p Embedded HVR.

This true day/night camera comes with a 2.7 to 13.5 mm motorized vari-focal lens, which can be controlled through BNC service monitor, IE interface of the i3 encoders/standalone DVRs, SRX-Pro Server and/or Video Pilot Client. Am53 comes with a built-in Smart IR which achieves superior images in low-light condition by automatic LED brightness adjustment depending on the object 's distance. This cost-effective camera is suitable for indoor and outdoor installations.

The versatility of AM53 IP camera makes it ideal for a range of video surveillance applications. Best suited for use with the i3 's NVR in conjunction with HR16, the analog encoder or Veo16p, Embedded HVR.



Specifications

Image System	
Image Sensor	2MP CMOS Image Sensor
Signal System	NTSC / PAL
Effective Pixels (HxV)	1920(H) x 1080(V)
OSD	Yes
Sync System	Internal
Format Supported	HD-TVI (i3-recommended), HD-CVI, HD-AHD, CVBS
Optical System	
Focal Length (built-in lens)	Motorized, vari-focal, 2.7-13.5mm
F-stop Range (F-number)	F1.6 (Wide), F2.4 (Tele)
Horizontal FOV (Field of View)	105.2° - 32.8°
Day/Night	ICR
Vertical FOV (Field of View)	55.8° - 18.4°
Electric	
Digital Noise Reduction (DNR)	3D
Wide Dynamic Range (WDR)	True WDR (120dB)
Min. Illumination	0.005 Lux @ (F1.2, AGC ON), 0 Lux with IR
Automatic Gain Control (AGC)	Yes
Electric Shutter	NTSC: 1/30 s to 1/50,000 s PAL: 1/25 s to 1/50,000 s
Video Output Streams (Single Output at a time)	CVBS Output: 1 x 1Vp-p Composite Output (75 Ω /BNC) OR HD Video Output: 1 x Analog HD output
Day/Night Mode	Colour/BW/Auto

Other Features	
Other	Sharpness, Brightness, Contrast, Saturation, White Balance, Mirror, HLC/BLC, Smart IR
Mechanism	
Angle Adjustment	Pan: 0 - 340°, Tilt: 0 - 75°, Rotation: 0 - 355°
Dimensions	Ø 136mm x 102mm (H) / Ø 5.35" x 4" (H)
Weight	0.45 kg (1.0 lb)
Protection Class	FCC, CE, UL, IP67
IR	
IR Distance	up to 40 meters (130 feet)
Power Supply	
Power Requirement	DC 12V & AC 24V
Power Consumption	Max. 9.7W
Environment	
Operating Temperature	-40°C - 50°C (-40°F - 122°F)
Operating Humidity	90% or less (non-condensing)
Warranty	
Warranty	5 years parts and labor

Related Products



AX52FM
Ax52FM Flush
Mount Plate



LD16
LD16, 16-
channel encoder



LD1604
LD16, 16-
channel encoder
with 4 licenses



LD1608
LD16, 16-
channel encoder
with 8 licenses



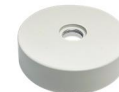
LD1612
LD16, 16-
channel encoder
with 12 licenses



LD1616
LD16, 16-
channel encoder
with 16 licenses



TTP111HDL-02
TTP111HDL-02
Single Channel
HD Analog UTP
Balun, 2pcs



B53
B53 Pendant
Back Box for
Am53



DB60
DB60 Wallmount
Goose Neck
Bracket



DB60CPM
DB60CPM
Corner/Pole
Mount Bracket