

Xenoplan 2.8/50

Compact C-Mount anti-shading lenses for up to 12 megapixel 1.3" sensor with lenslet on the pixel. This 50 mm focal length lens covers an image circle of 24 mm, which enables to achieve a large field of view at a short working distance.

The lockable focus and iris setting, a robust housing and the 400 nm to 1000 nm broadband AR coating makes this lens ideal for measurement applications in factory automation. For harsh environmental condition a ruggedized version, with special fixed mechanics is available.

A version with motorized p-iris is offered, too. The series of anti-shading lenses for 1.3" sensor is completed with lenses of 16 mm, 20 mm, 24 mm and 35 mm focal length.



Xenoplan 2.8/50

Key features

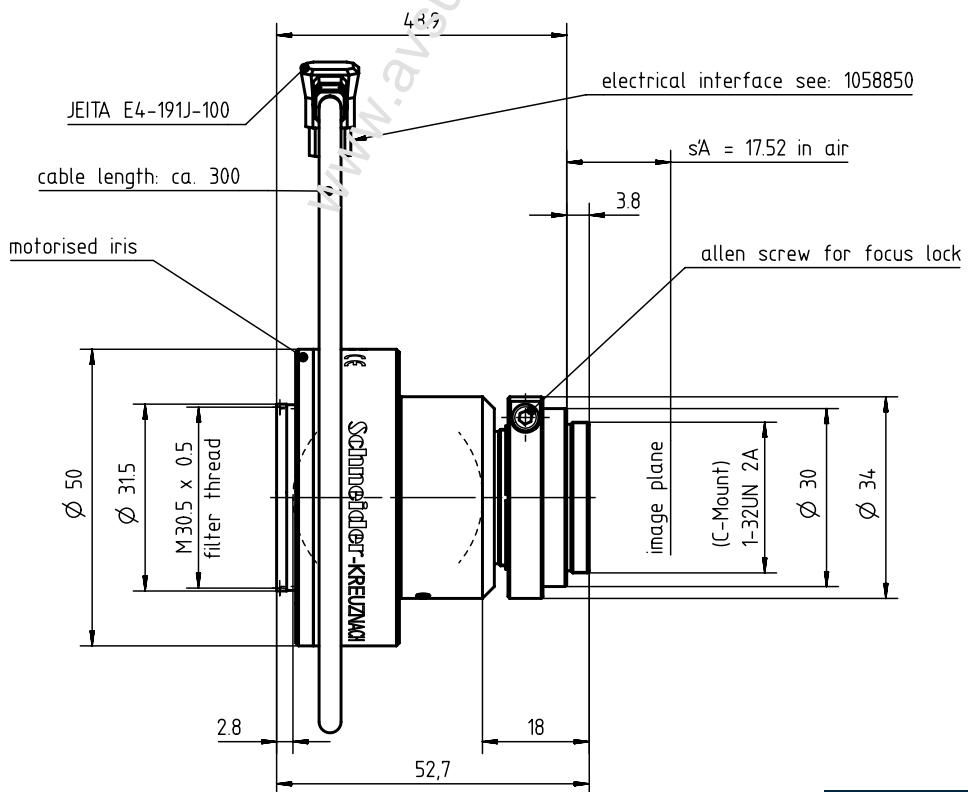
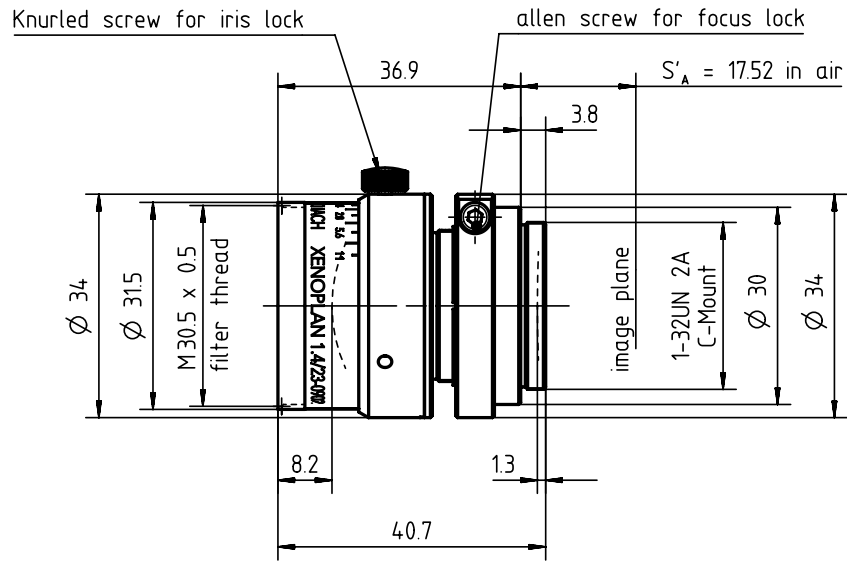
- Anti-shading lens for up to 1.3" 12 megapixel sensor with lenslet
- Covers 24 mm image circle
- Version with motorized p-iris available
- 400 - 1000 nm broadband AR coating
- Ruggedized version available
- Focus and iris setting lockable

Applications

- 3D measurement
- 2D measurement
- Traffic surveillance

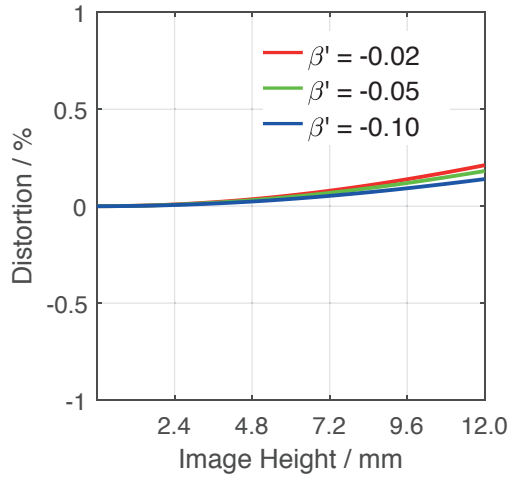
Name	Xenoplan 2.8/50
Type	-0902 -0912 -1902
Focal Length [mm]	50
Magnification	-0.5
Image circle [mm]	24
Resolution [μm]	3.65
F/# range	2.8 ... 16
NA	0.18
Interface	C-Mount
Working distance [mm]	∞ - 135
AoV [°]	26
Focus control	manual
Transmission [nm]	400 - 1000
Filter thread [mm]	M30.5 x 0.5
Dimensions L x D [mm]	52.7 x 50.0

Name	Xenoplan 2.8/50
Weight [g]	179
Storage temperature [°C]	-25 ... +70
f'_{eff} [mm]	50.18
S_F [mm]	-33.549
S'_F [mm]	31.698
HH' [mm]	-3.135
β'_P	0.945
S_{EP} [mm]	19.564
S'_{AP} [mm]	-15.711
Σd [mm]	31.978
ID	1001976
ID Ruggedized	1062882
ID Motorized p-iris	1076168

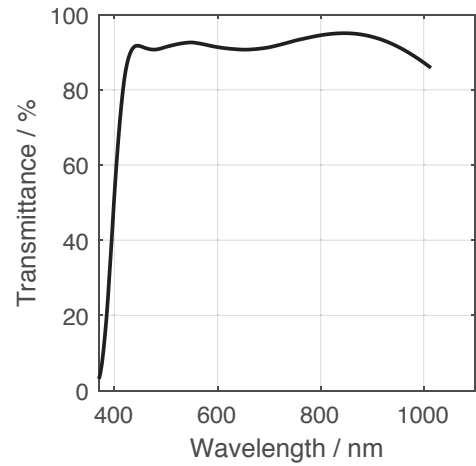


Motorized p-iris

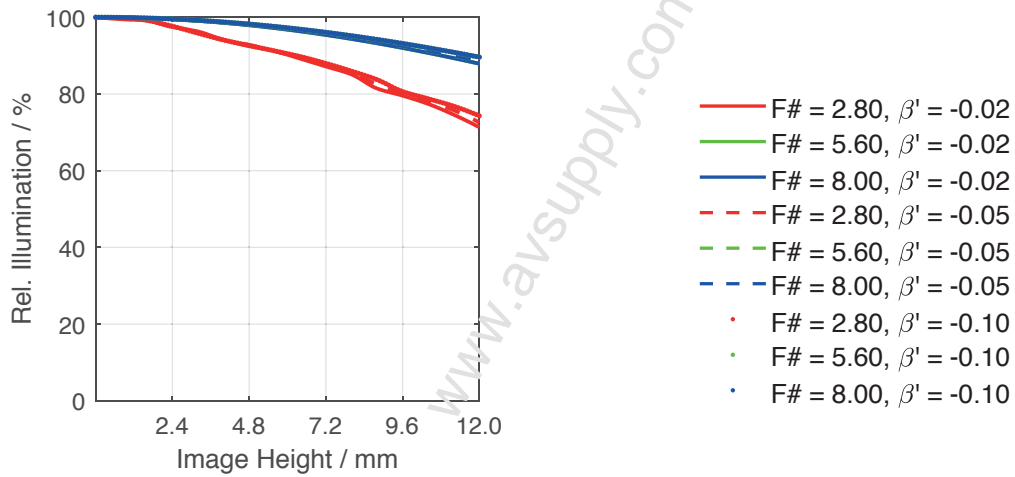
Distortion vs. Image Height



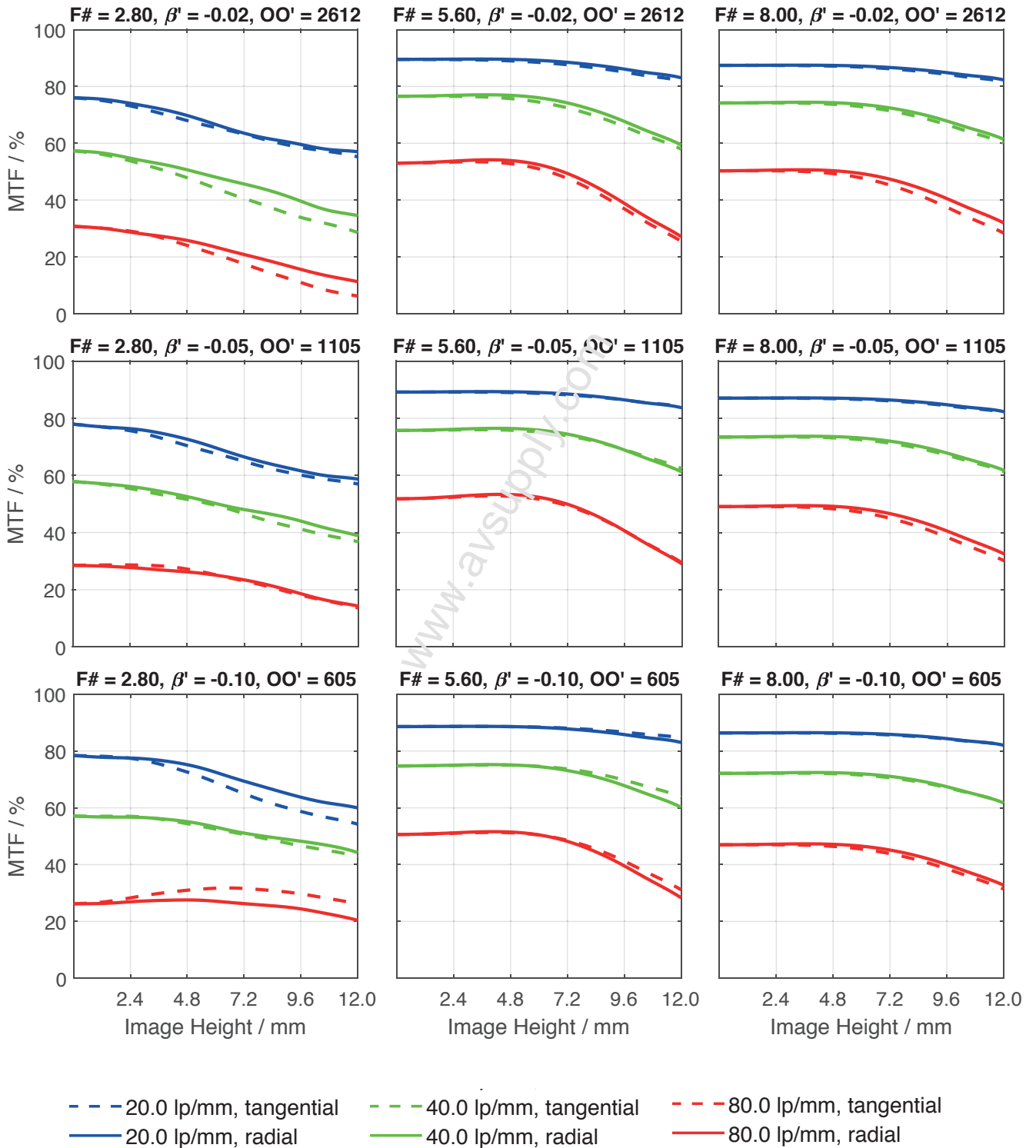
Transmittance vs. Wavelength



Relative Illumination vs. Image Height



Spectrum Name	VIS					
Wavelengths [nm]	425	475	525	575	625	675
Weights	8	16	23	22	19	13



Accessories	Mount	Length	ID
Adapter	CS-Mount Adapter	5 mm	25081
	C-Mount / M42 x 1 Adapter	-	1075817
Ext. Tube	C-Mount	5 mm	39316
	C-Mount	8 mm	39315
	C-Mount	10 mm	39312

www.avsupply.com