

TZ6539R

[SPECIFICATIONS] F1.0 Motorized Zoom Lens

Image Size: $\frac{1}{3}$ $\frac{1}{4}$

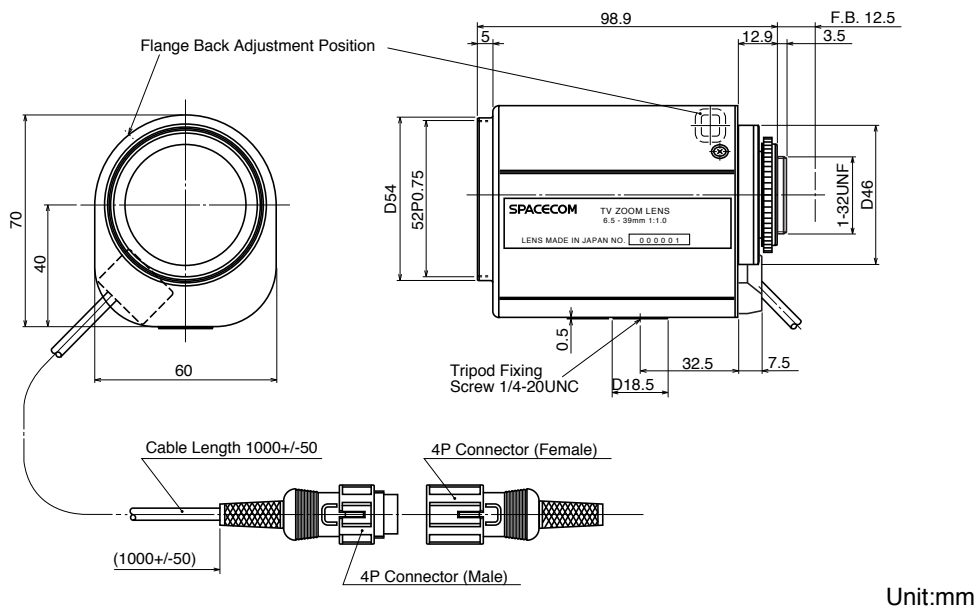
Focal Length :	6.5 - 39mm	Flange Back :	12.5mm
Maximum Relative Aperture :	1:1.0	Operation :	Zoom : Motorized(DC+/-6.4V, Max40mA) Speed Approx. 6sec.
Iris :	F1.0 - Close	Focus :	Motorized(DC+/-6.4V, Max40mA) Speed Approx. 7sec.
Zoom Ratio :	6X	Iris :	Motorized(DC+/-6.4V, Max40mA) Speed Approx. 3.5sec.
Angular Field of View :	40.5 X30.9 deg. at 6.5mm 7.0 X 5.3 deg. at 39mm	Operation Temperature :	-10 to +50
Image Format :	4.8X3.6mm(D6mm)	Mount :	CS-Mount(Adjustable Lens Position)
Minimum Object Distance :	1.0m(From Front Vertex)	Front Thread :	52mm P0.75
Object Dimensions at M.O.D. :	73.8X55.3cm at 6.5mm 12.2X 9.3cm at 39mm	Size, Weight :	70X60X98.9mm, Approx. 500g
Optical Back Focal Distance :	11.76mm(In Air)		

[COMPOSITION]

Lens1
 Lens Cap1
 Dust Cap1

4-Conductor Connector(Female)1
 (Any 4-conductor cable of external dia 6mm to be prepared separately.)

[DIMENSIONS]



[CIRCUIT DIAGRAM]

