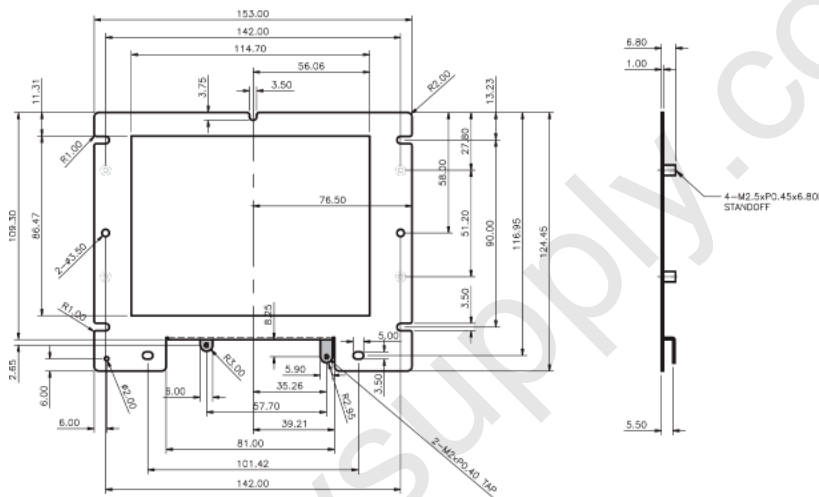


### Product Features

- TFT active matrix
- High resolution (960 x 234 pixels)
- R.G.B. Stripe
- NTSC/PAL auto switchable
- 12VDC
- Mirror mode
- Vertical flip
- Rack mountable



### Technical Specifications

Electrical	45S056
Operating System	NTSC/ PAL auto switchable
Picture Size	5.6" diagonal
Resolution (H x V)	960 x 234 pixels
LCD Type	TFT active matrix
Color Configurations	R.G.B. Stripe
Active Area (W x H)	154.08mm x 86.58mm
Dot Pitch (W x H)	0.118mm x 0.362mm
Brightness	200 cd/m <sup>2</sup>
Contrast Ratio	300:1
Response Time	Tr: 15ms Tf: 20ms
Backlight	LED
Mirror Mode	On/Off
Vertical Flip	On/Off
Input Signal	1Vp-p composite video at 75 Ohms
Video Angle	Left 65°, Right 65°, Up 45°, Down 65°
Lamp Life-time	20,000 hr min.
Power Source	12VDC ±10%
Power Consumption	3.6W (max)

### Environmental

Operating Temperature	0° C ~ 50° C (32° F ~ 122° F)
Storage Temperature	-30° C ~ 85° C (-22° F ~ 185° F)
Operating Humidity	Max. 85% RH
Storage Humidity	Max. 85% RH

### Mechanical

Dimensions W x H x D (Panel)	153mm x 124.45mm x 6.8mm (6" x 4.9" x 0.27")
Weight	245g (0.54 lb) panel only
O.S.D. Controls	Contrast, Brightness, Hue (NTSC only), Saturation, Sharpness, Mirror, Vertical Flip, Volume

### Accessories

Included	Cables	2 AV-IN 1 12VDC-IN
Optional	Keyboard control with LED light	

### Safety Standards

	FCC, CE, UL, RoHS
--	-------------------

01/09/10 PDS-45S056 Rev E

#### Videology® Imaging Solutions, Inc.

37M Lark Industrial Parkway  
Greenville, Rhode Island 02828 USA  
Tel: (401) 949 - 5332 Fax: (401) 949 - 5276  
North/South American Sales: [sales@videologyinc.com](mailto:sales@videologyinc.com)  
[www.videologyinc.com](http://www.videologyinc.com)



All data subject to change without notice.

#### Videology® Imaging Solutions, Europe B.V.

Neutonenlaan 4  
NL 5408HJ Uden  
The Netherlands  
Tel: +3

For design help, accessories or pricing, please contact:  
[sales@avsupply.com](mailto:sales@avsupply.com) or call: 1-858-565-1101

