


**Middle Atlantic Products**

EXCEPTIONAL SUPPORT &amp; PROTECTION™

# C5 Series A/V Credenza Rack


**EIA/TIA Compliant**

## Unique Design with Integrated Thermal Management Simplifies System Design and Minimize Delays

### Features

- Fully assembled frames ship separately from furniture-grade panels
- Integrated, thermostatically controlled cooling quietly protects active electronics
- Available in 1, 2 and 3 bay models
- Unique design allows panels to be replaced quickly and easily
- Available in Contemporary and Traditional Styles
- 12 standard finishes to match all environments



Traditional Style



Contemporary Style



### Architects' and Engineers' Specifications

EIA Compliant 19" A/V Credenza Rack shall be Middle Atlantic Products model # C5F\_ (120V) or IC5F\_ (220V) (refer to chart). Credenza Rack shall be available in 1, 2 or 3 bay configurations. Overall dimensions shall be 31-1/2" H x \_\_\_ W" x 27-1/2" D (refer to chart). Usable height shall be 14 rackspace per bay. Rack frames shall ship fully assembled and be constructed of steel. Total weight capacity with Middle Atlantic finishing kit shall be 600 lbs., with a maximum of 350 lbs. to be placed on the top surface. Total weight capacity of the frame only (must take into account the weight of the customer supplied finishing kit) shall be 800 lbs. Each rack bay shall come equipped with 2 pairs of 11-gauge steel rackrail tapped with 10-32 mounting holes in universal EIA spacing, black e-coat finish and numbered rackspace. Credenza rack shall have two 59 CFM free air rated (138 CFM free air rated Total) thermostatically controlled cooling fans per bay and provide \_\_\_ CFM installed and produce \_\_\_ dBA (refer to chart). Thermostatically controlled fans shall be powered on at 87°F and turn off at 85°F. Credenza rack shall have venting on the top and bottom of the face of the rack. Credenza rack shall include two adjustable side mounted horizontal lacing bars for enhanced cable management. Credenza rack shall have a steel rear access panel. Credenza rack shall be finished in a durable black powder coat. Top, sides, front doors and kick plate shall ship separately from rack frame and be model # C5K\_ - \_ - \_ (refer to chart), to accept large format monitor mount shall be model # C5K\_ - \_ MT\_ - \_ (refer to chart). Top shall be constructed of 1-1/8" thick triple refined MDF, sides shall be constructed of 1" thick triple refined MDF, front doors shall be constructed of 3/4" thick triple refined MDF, and kick plate shall be constructed of 1/2" thick triple refined MDF. Top, sides and front doors shall be available in a traditional or contemporary style. Front doors shall be solid or plexi. Top, sides and front doors shall be available in a Wenge, Dark Cherry, Dark Pecan, Ebony Ash, Aged

Cherry, Honey Maple, Light Walnut, Maple, Shark Gray, Pepperstone, Graystone or Darkstone RTF thermolaminate finish. Credenza rack shall include 4 fine floor casters. Credenza rack shall be GREENGUARD Indoor Air Quality Certified and GREENGUARD Gold Certified. Credenza rack shall comply with the requirements of RoHS EU Directive 2002/95/EC. Credenza rack shall be manufactured by an ISO 9001 and ISO 14001 registered company. Credenza Rack frame shall be warranted to be free from defects in material or workmanship under normal use and conditions for the lifetime of the rack, fans shall be warranted for a period of three years and wood panels shall be warranted for a period of 7 years.

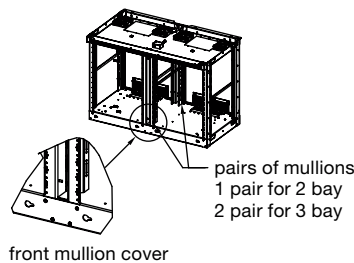
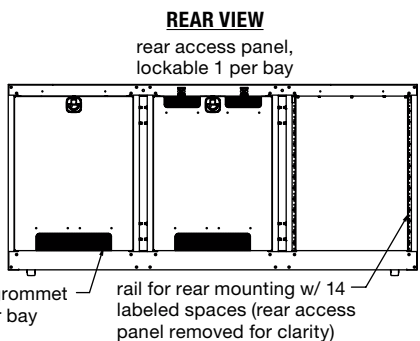
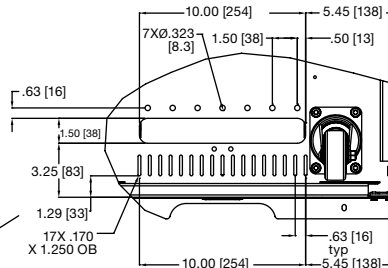
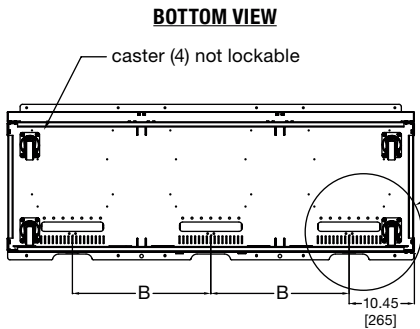
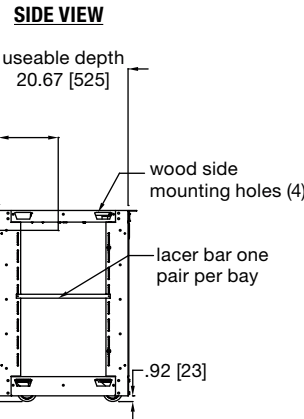
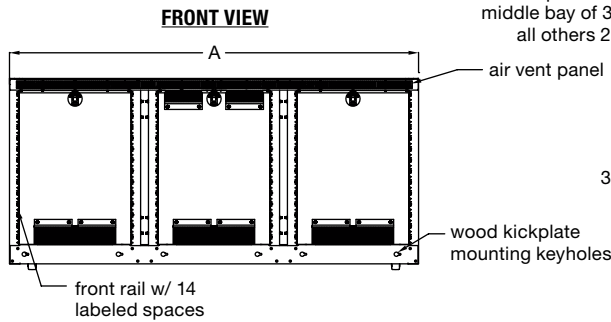
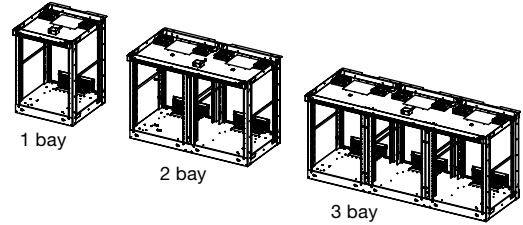
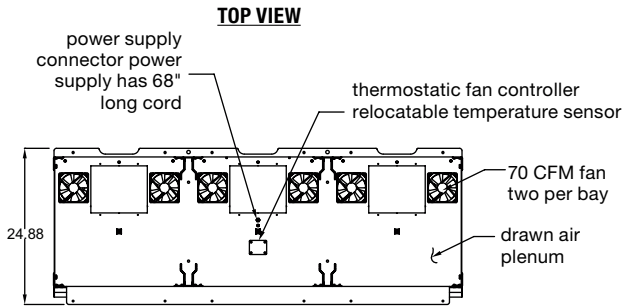
#### OPTIONS

- Extender kit shall add 2.93" useable depth and be model # C5-EXT
- Shelf System insert shall be model # C5-SH-SYS
- Adjustable rail Bracket shall be model # C5-ARB
- Cable Grommet shall be model # C5-CG
- Flip up side shelf shall be model # C5-SDSH\_ (C for Contemporary, T for traditional, specify color)
- Waste and Recycle Bin Insert shall be model # C5-WB
- Millwork Kit, for which includes specifications and hardware needed to create a customized finishing kit shall be model # C5-MK\_ (1, 2 or 3, determined by the number of bays in C5 series credenza)

**CUSTOMIZABLE SPECIFICATION CLIPS AVAILABLE AT MIDDLEATLANTIC.COM**

# C5 Frame basic dimensions

All dimensions in inches unless otherwise noted [All dimensions in brackets are in millimeters]



Part# 120V	Part# 220V	"A" Width	dBA*	Fan Free Air Rated CFM	Actual Installed CFM
CSF1	IC5F1	20.90 [531]	32	118	43
CSF2	IC5F2	43.04 [1093]	34	236	82
CSF3	IC5F3	65.19 [1656]	35	354	133

## COOLING CAPABILITIES

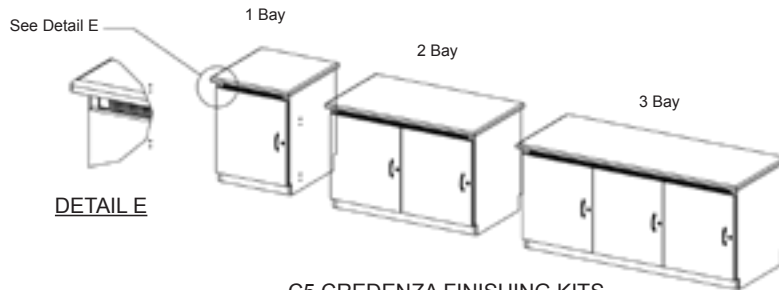
Thermal Load	Temp Change (°F) CSF1/IC5F1	Temp Change (°F) CSF2/IC5F2	Temp Change (°F) CSF3/IC5F3
0.8A - 100W	3.9	2.4	1.9
1.7A - 200W	7.7	4.7	3.7
2.5A - 300W	11.6	7.1	5.6
3.3A - 400W	15.4	9.5	7.4
4.2A - 500W	19.3	11.9	9.3
5.0A - 600W	23.2	14.2	11.1
5.8A - 700W	27.0	16.6	13.0
6.7A - 800W	30.9	19.0	14.8
7.5A - 900W	34.7	21.4	16.7

### NOTES

- Amperage is based on ACTUAL amperage ratings, not on nameplate ratings, which have been proven to vary significantly
- Ideal maximum temperature change is 15°F based on an ambient room temperature of 70°F
- This data is made assuming that the Credenza is placed against a wall in a room

# C5 Finishing Kit basic dimensions

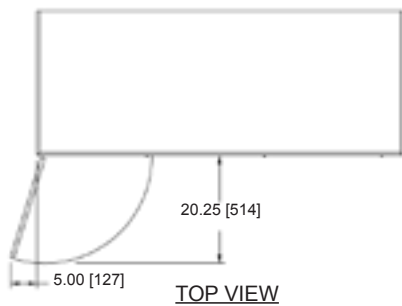
All dimensions in inches unless otherwise noted [All dimensions in brackets are in millimeters]



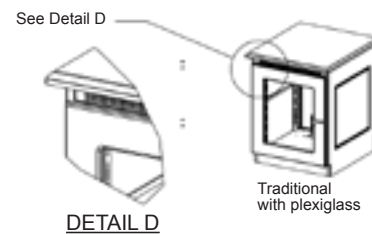
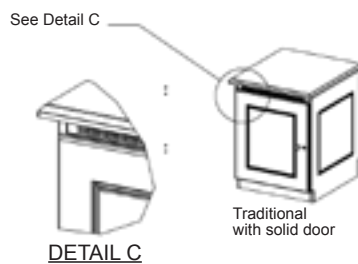
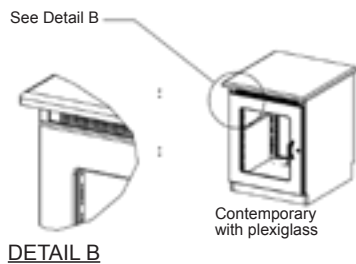
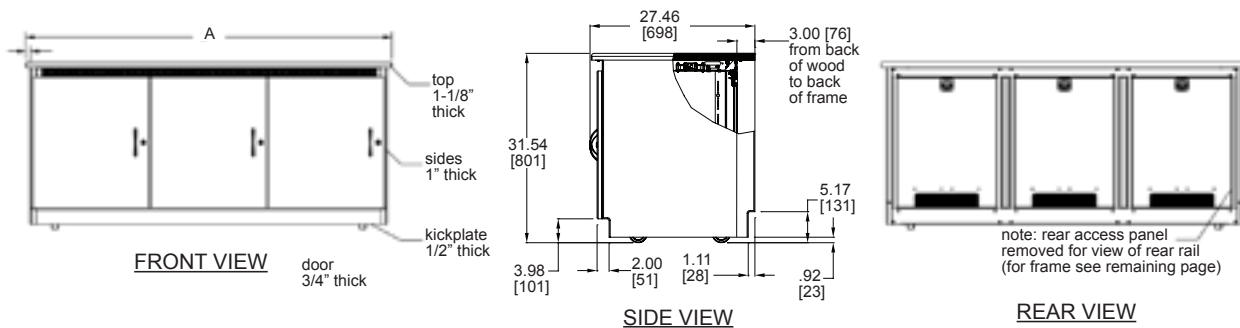
## C5 CREDENZA FINISHING KITS

(Contemporary style with solid doors shown)

Thermolaminated MDF see parts for thickness



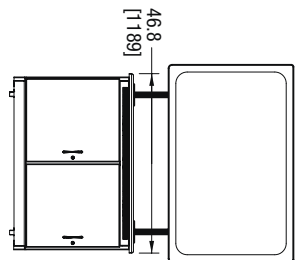
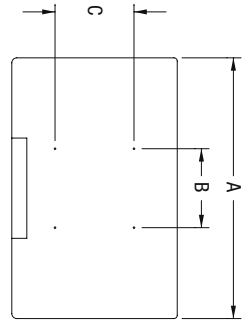
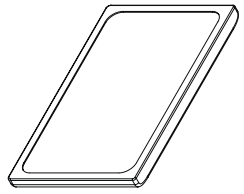
Finishing Kit Prefix	Finishing Kit for Use with Monitor Mount	"A" Width
CSK1-XXX	N/A	24.65 [1751]
CSK2-XXX	CSK2-XXXMT-XX	46.80 [1188]
CSK3-XXX	CSK3-XXXMT-XX	68.94 [1751]



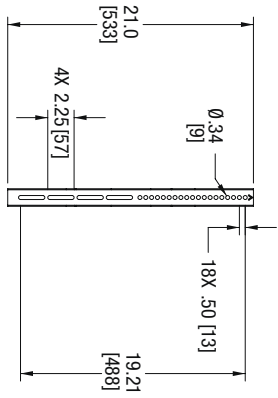
# C5 Large Format Monitor Mount basic dimensions

All dimensions in inches unless otherwise noted [All dimensions in brackets are in millimeters]

ACCOMMODATES THE VESA PATTERNS:

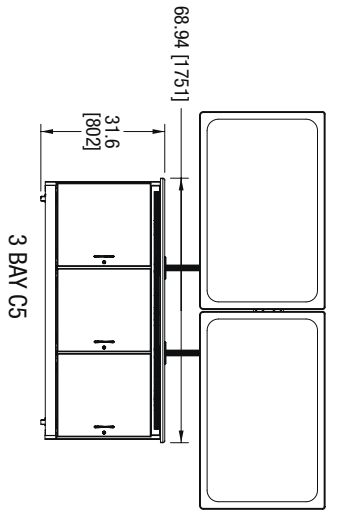


2 BAY C5

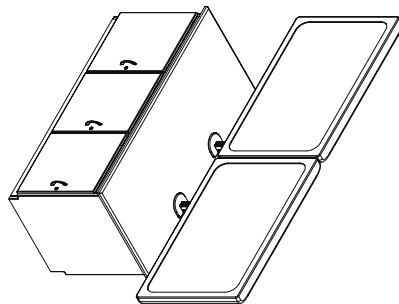
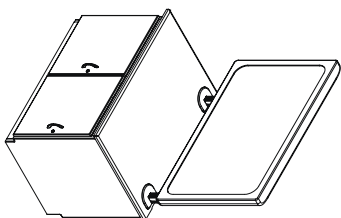
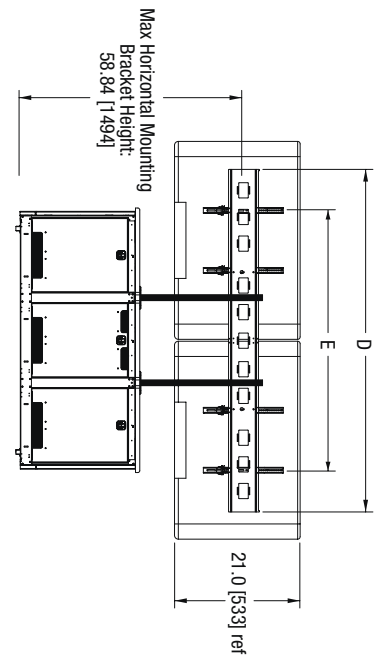
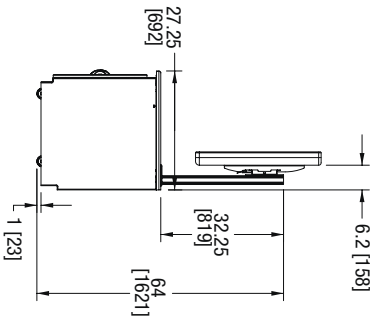


DISPLAY MOUNT BRACKET HOLE PATTERN

Part #	DISPLAY WIDTH A	VESA PATTERN ACCOMMODATION B	VESA PATTERN ACCOMMODATION C
C5MM1-4270S	80 [2032] AND UNDER	UP TO VESA 900	UP TO VESA 400
C5MM1-4255D	47 [1194] AND UNDER	UP TO VESA 600	UP TO VESA 400
C5MM1-5665D	55 [1397] AND UNDER	UP TO VESA 400	UP TO VESA 400
	63 [1600] AND UNDER	UP TO VESA 600	UP TO VESA 400
	71 [1803] AND UNDER	UP TO VESA 400	UP TO VESA 400



3 BAY C5



Part #	SINGLE OR DUAL DISPLAYS	DISPLAY SIZE	MAX DISPLAY WEIGHT LB [KG]	HORIZONTAL LENGTH D	MAX DISTANCE OUTER VERTICALS E
C5MM1-4270S	SINGLE	42 [1067] to 70 [1778]	225 [102]	38.00 [965]	35.75 [908]
C5MM1-4255D	DUAL	42 [1067] to 56 [1397]	160 [72] (TOTAL: 320 [145])	74.00 [1880]	71.75 [1822]
C5MM1-5665D	DUAL	56 [1422] to 66 [1661]	160 [72] (TOTAL: 320 [145])	90.00 [2286]	87.75 [2229]

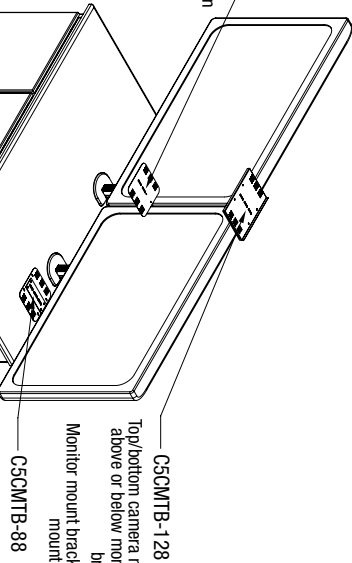
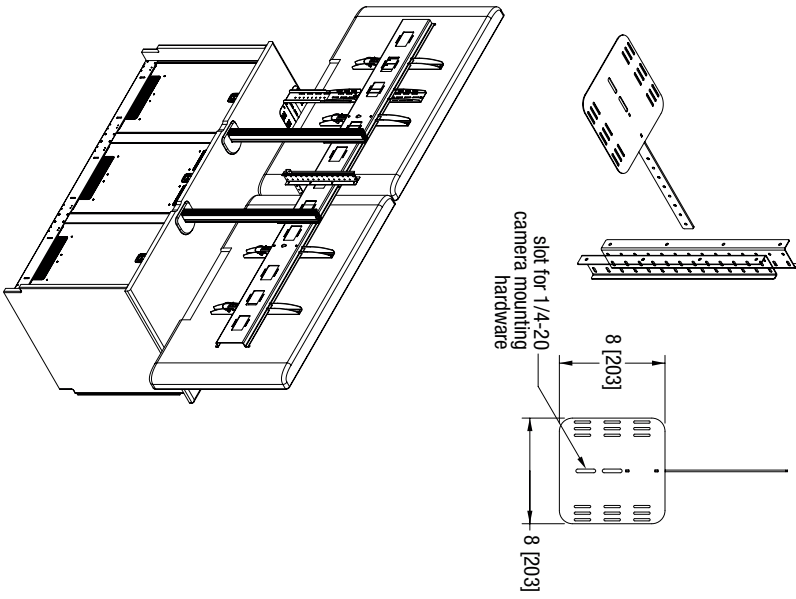


# C5 Camera Mount basic dimensions

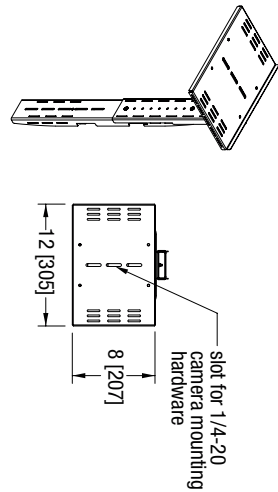
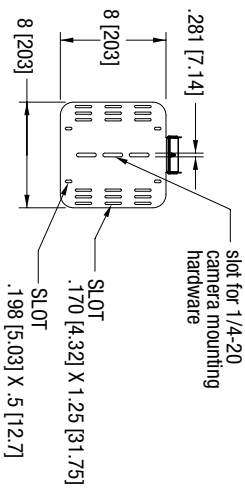
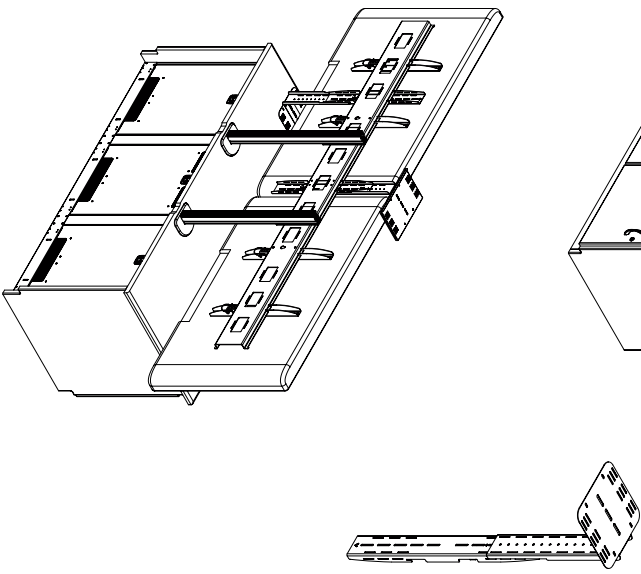
All dimensions in inches unless otherwise noted [All dimensions in brackets are in millimeters]



Between-monitor camera mount can be mounted between two monitors in any location except for the solid parts of the monitor mounting bracket.  
This location is based upon the specific monitor used.



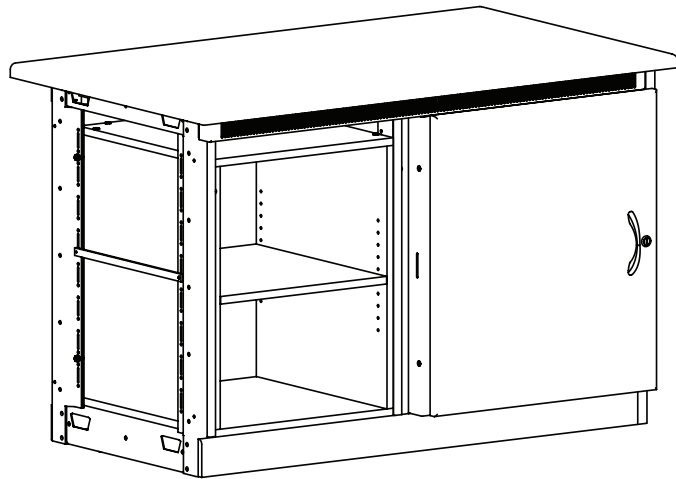
Top/bottom camera mount can be mounted in any location horizontal, above or below monitor, with the exception of where monitor mount brackets and posts are located.  
Monitor mount bracket locations are based upon location of the vesa mounting holes on each specific monitor.



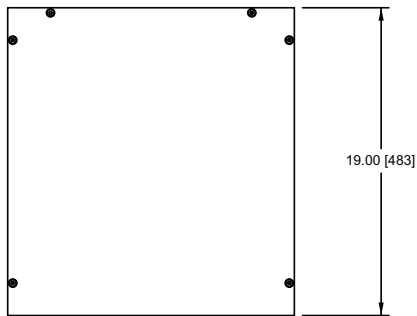
Finishing Kit	Mounting Location	Platform Size
C5CMM-88	between monitors	8 X 8
C5CMTB-128	above/below monitors	12 X 8
C5CMTB-88	above/below monitors	8 X 8

## C5 Shelf Insert basic dimensions

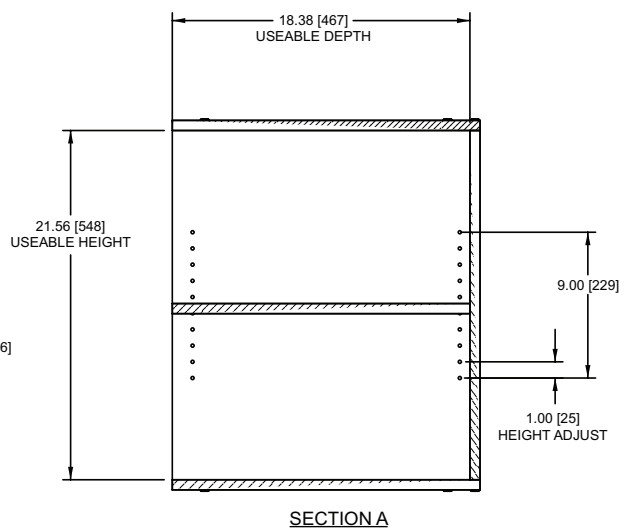
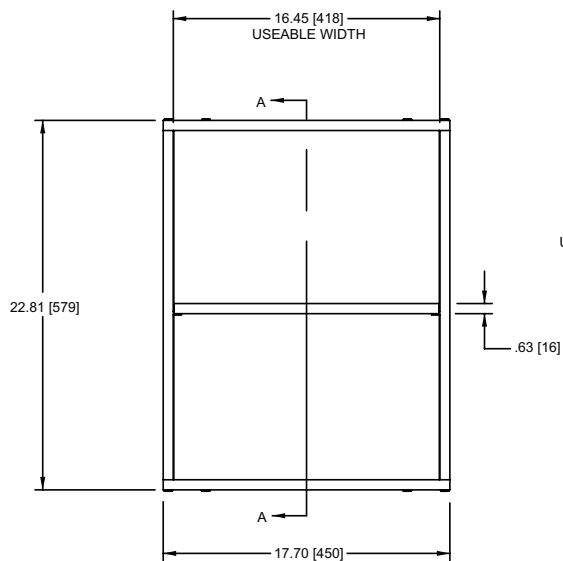
All dimensions in inches unless otherwise noted [All dimensions in brackets are in millimeters]



SHELF SHOWN INSTALLED IN C5 CREDEZA  
W/ SIDE AND DOOR REMOVED FOR CLARITY

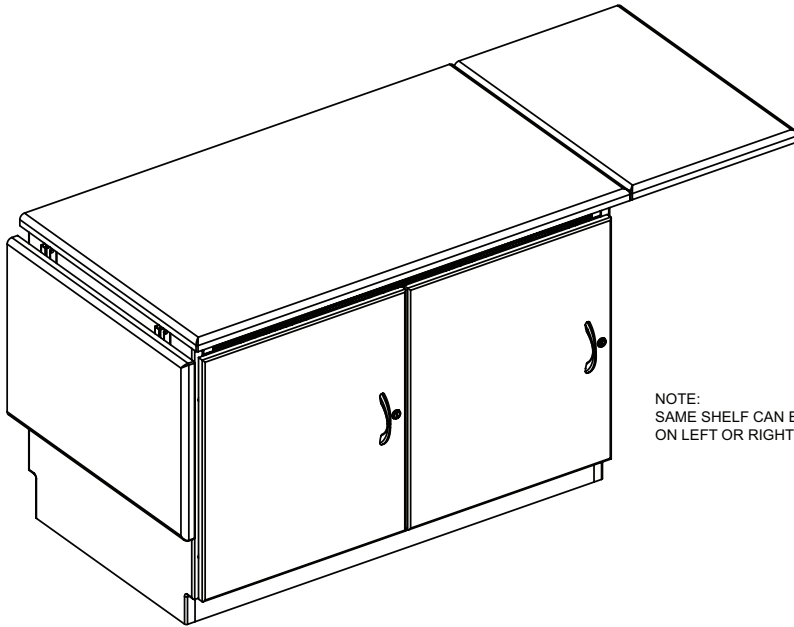


NOTE:  
PRE-ASSEMBLY REQUIRED



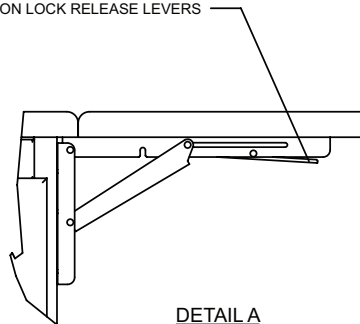
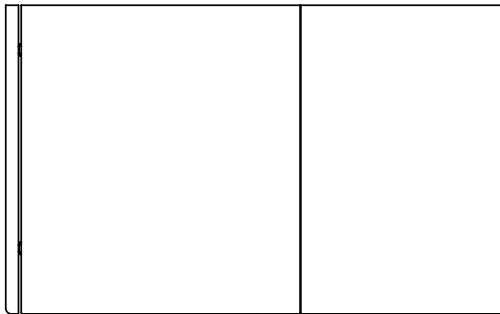
## C5 Flip-up Side Shelf basic dimensions

All dimensions in inches unless otherwise noted [All dimensions in brackets are in millimeters]

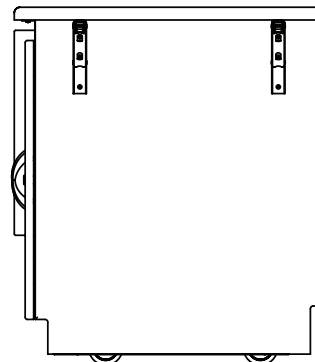
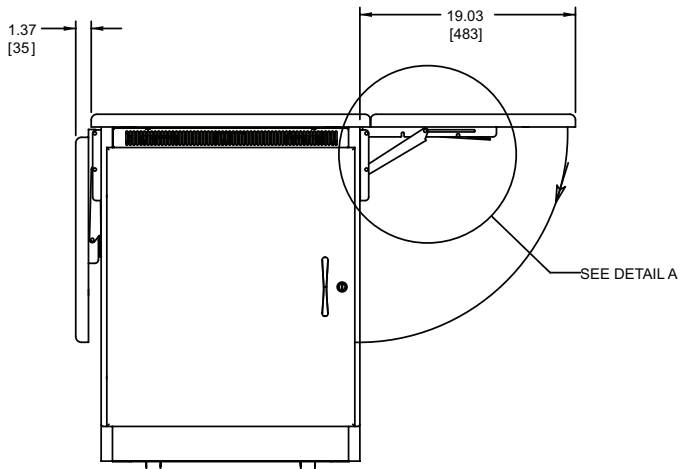


NOTE:  
SAME SHELF CAN BE LOCATED  
ON LEFT OR RIGHT SIDE

TO CLOSE SHELF - LIFT UP ON LOCK RELEASE LEVERS

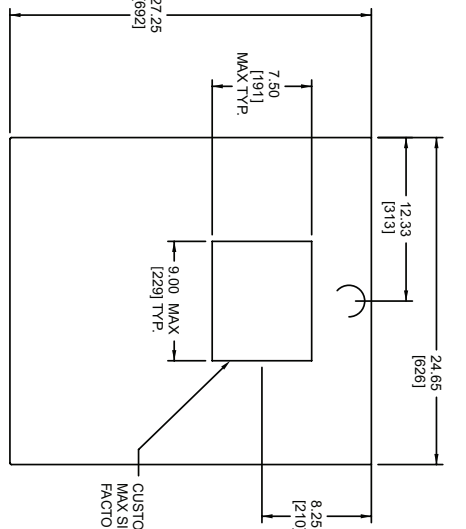


**DETAIL A**  
FOLDING SUPPORT BRACKET



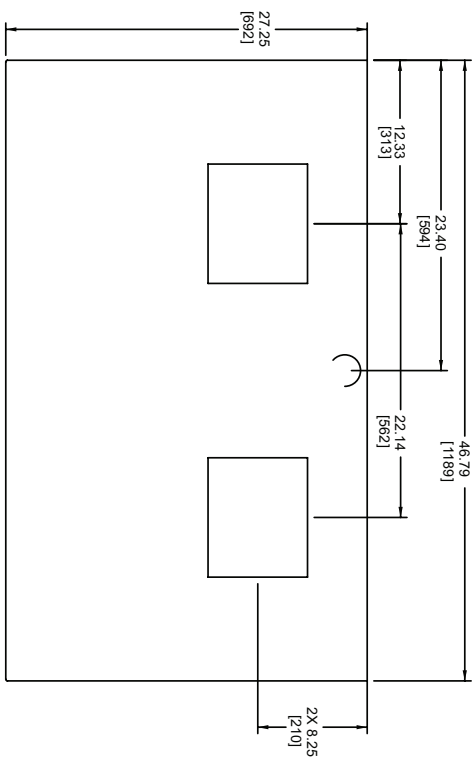
# C5 Cable Grommet and Tabletop Box basic dimensions

All dimensions in inches unless otherwise noted [All dimensions in brackets are in millimeters]

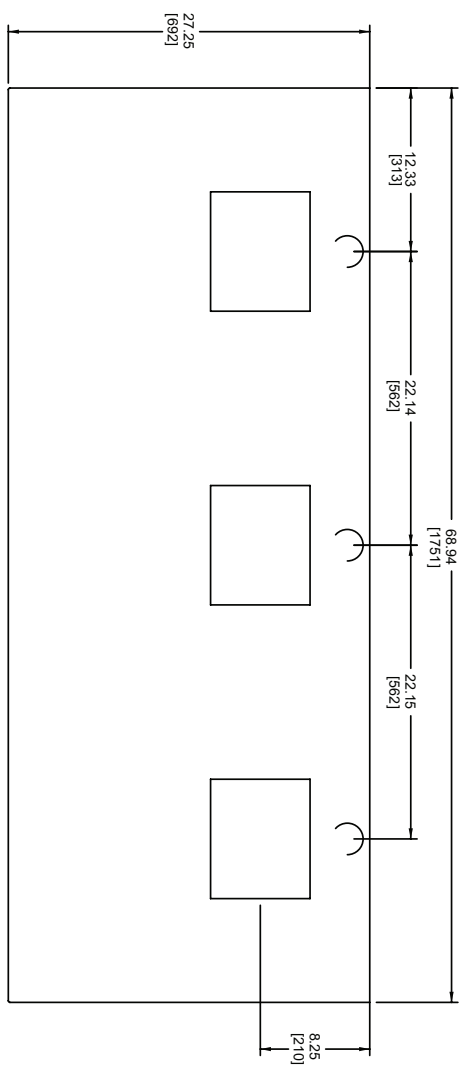


CUSTOM CUTOOUT FOR TABLE TOP BOX.  
MAX SIZE 9.00" WIDE X 7.50" DEEP  
FACTORY CUT TO SPECIFIC SIZE AND SHAPE

1 BAY

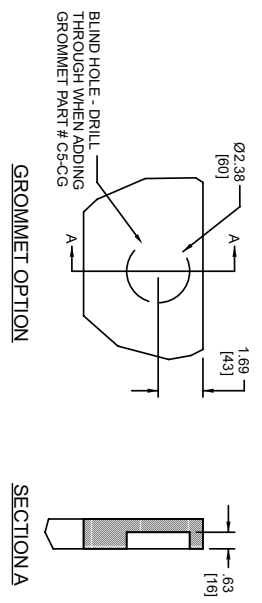


2 BAY



3 BAY

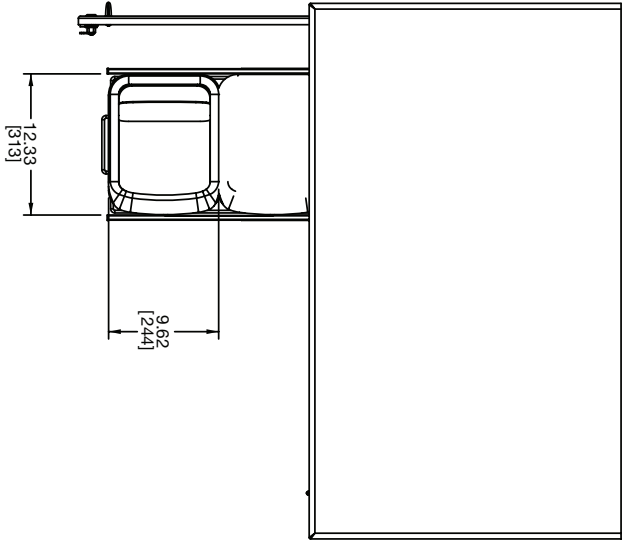
NOTE: WHEN ORDERING WITH MONITOR MOUNT, CABLE GROMMETS ARE ONLY AVAILABLE ON 3 BAY ON SIDE POSITIONS (NOT IN THE CENTER POSITION)



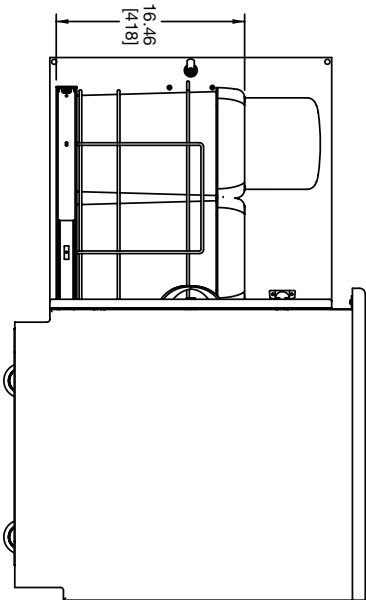
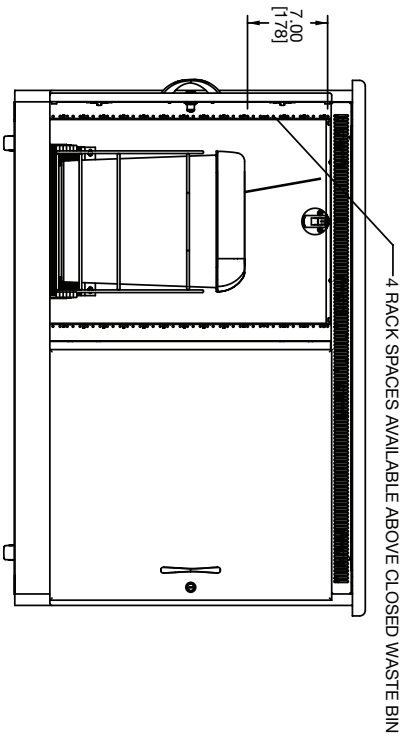
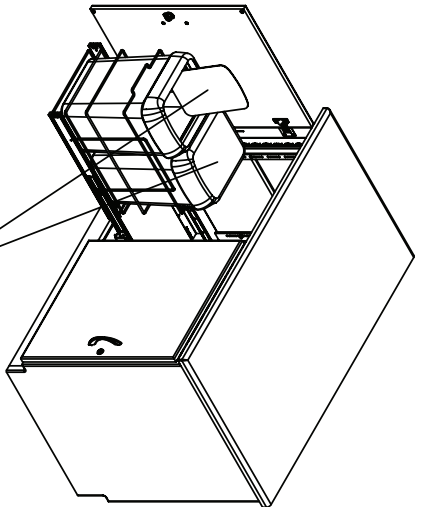


# C5 Waste and Recycle Bin Basic Dimensions

All dimensions in inches unless otherwise noted [All dimensions in brackets are in millimeters]



TWO CONTOURED WASTE BINS WITH FLIP UP LIDS  
 COLOR CODED BLUE AND TAN FOR RECYCLING EASE  
 22 LITER CAPACITY EACH

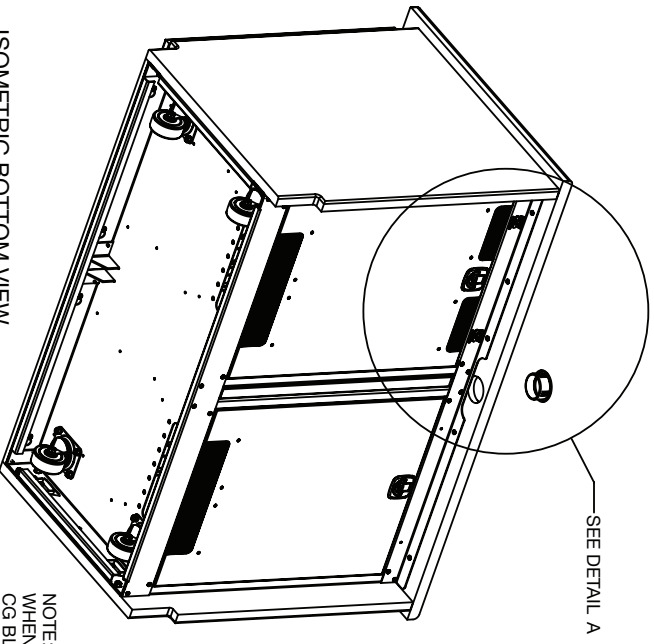
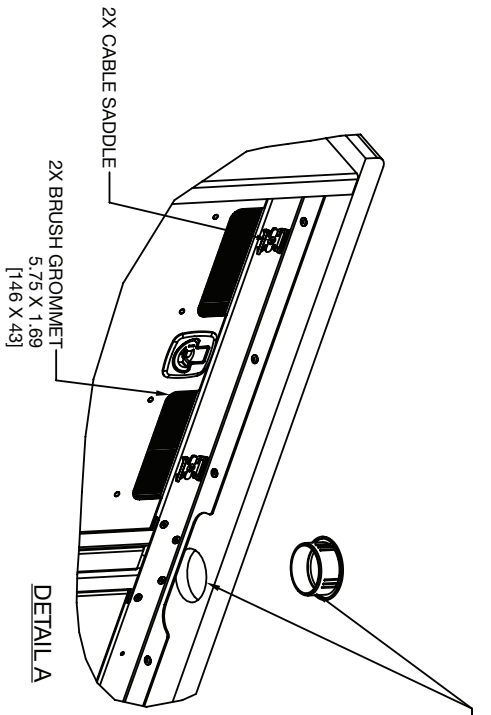


NOTE  
 WASTE BIN CAN BE INSTALLED IN ANY BAY IN ALL C5 CREDENZAS



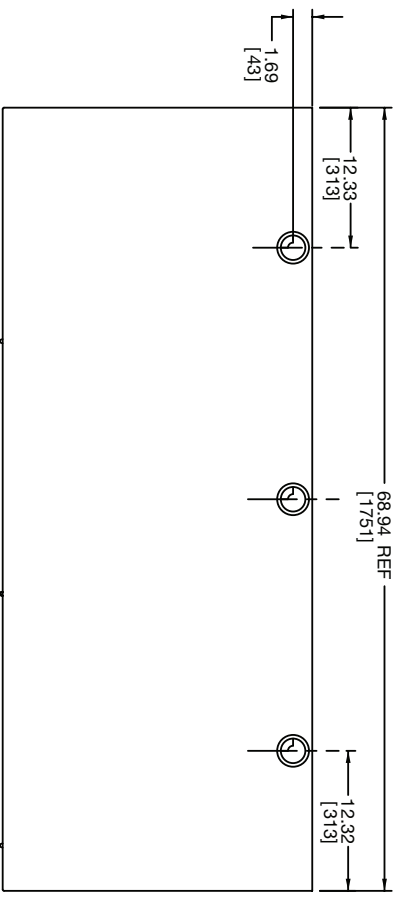
# C5 Cable Grommet basic dimensions

All dimensions in inches unless otherwise noted [All dimensions in brackets are in millimeters]

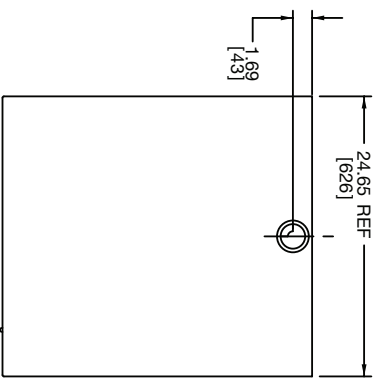


ISOMETRIC BOTTOM VIEW  
2 BAY SHOWN

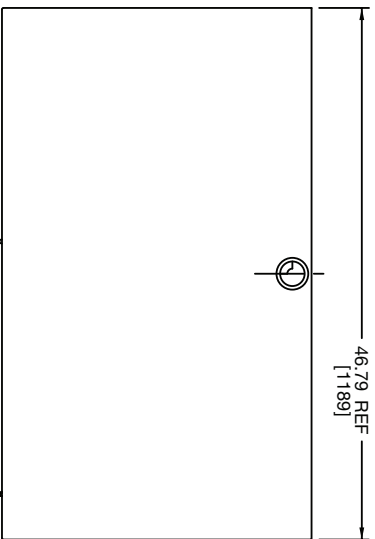
NOTE:  
WHEN OPTIONAL MONITOR MOUNT TOP IS USED  
CG BLIND HOLE IS ELIMINATED WHERE MONITOR IS PLACED.



TOP VIEW  
3 BAY



TOP VIEW  
1 BAY

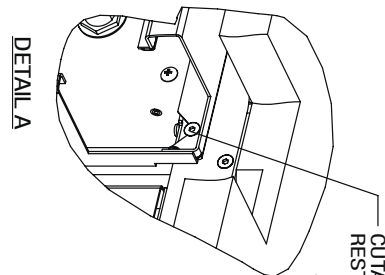


TOP VIEW  
2 BAY

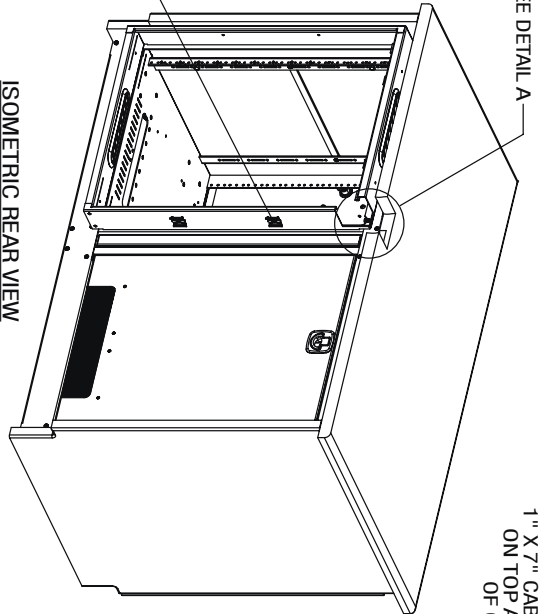


# C5 Extender Kit basic dimensions

All dimensions in inches unless otherwise noted [All dimensions in brackets are in millimeters]

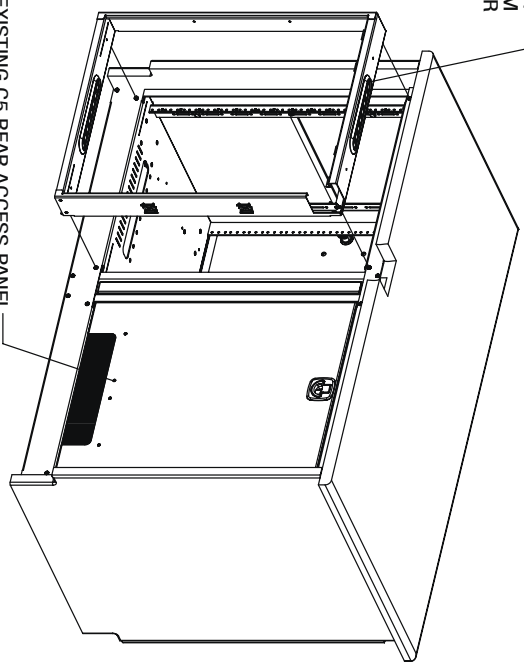


CUTAWAY VIEW OF "V" SLOT ON BACK OF C5-EXTENSION RESTING ON FRAME SCREW



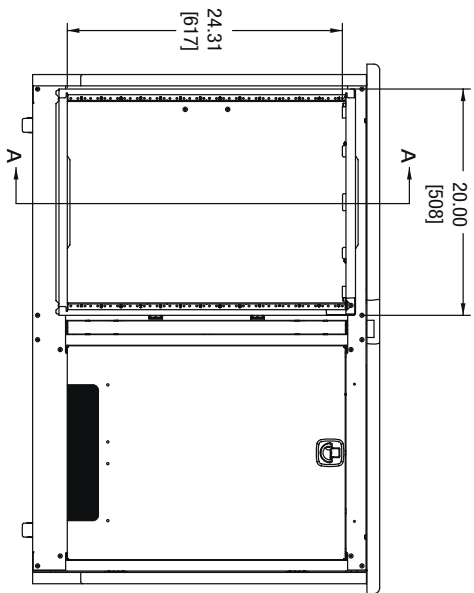
ISOMETRIC REAR VIEW

1" X 7" CABLE GROMMET ON TOP AND BOTTOM OF C5 EXTENDER



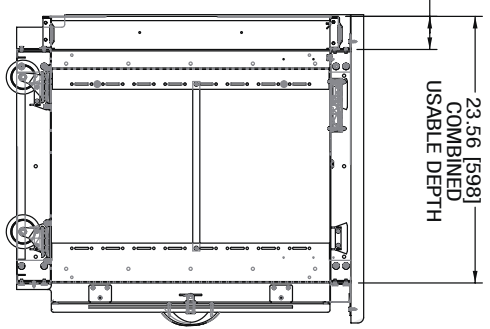
EXPLODED REAR VIEW

1 PAIR OF THE SADDLES & SELF THREADING SCREWS PROVIDED MOUNTING HOLES ON BOTH SIDES; STOP AND BOTTOM



REAR VIEW

2.93 [74] ADDED USEABLE DEPTH



SECTIONAL SIDE VIEW

