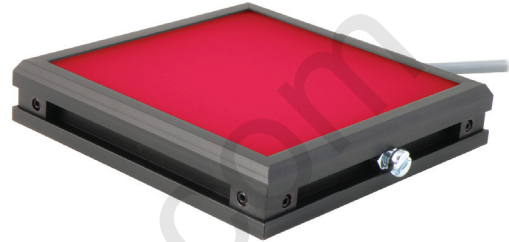


## BL0404

4" x 4" Surface Mount LED Back Light

- Aii** Extremely consistent light over the entire active area of illumination.
- Aii** Integrated M6 nut channel for easy mounting.



### Ordering Information

Standard Product:  
Shipped Next Day

**BL0404-660C2**

Configured for use with  
Ai power supply

**BL0404-66024**  
**BL0404-660IC**  
**BL0404-WHIIC**

Configured for use with user  
supplied 24v DC Power Supply

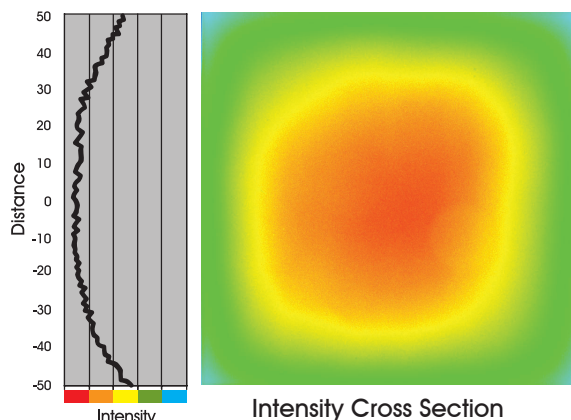
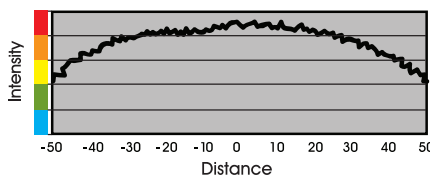
Standard Product Variation:  
**Red & Infra-red:** Shipped Within 2 Weeks  
**White:** 3 Weeks **Blue & Green:** 4 Weeks

	Spectral wavelength	Optional power Compatibility	Optional Light Conditioning	Alternative Connector
BL04 04 -	XXX	XX	X	XXX
	(blue) 470	IC	P <sup>£</sup>	M12*
	(green) 520	i3	(Polarizer)	(i3: 5-pin male; IC/24: 4-pin male)
	(red) 660 ⊕	C2		
	(infra-red) 880 ⊕	C3		
	(white) WHI	C5		
		24		

IC = iCS (requires 24v power supply)  
i3 = Combined continuous-on and strobe over-drive (24 volt PS required.)  
C2 = Ai Connector  
C3 = Pulsar 710 Connector  
C5 = Pulsar 320 Connector  
\* Available with IC, i3, and 24v options only  
⊕ IS option not available  
£ = Polarizer is oriented perpendicular to the cable exit side of the light

### Light Consistency Information

Intensity Distribution



[advancedillumination.com](http://advancedillumination.com)

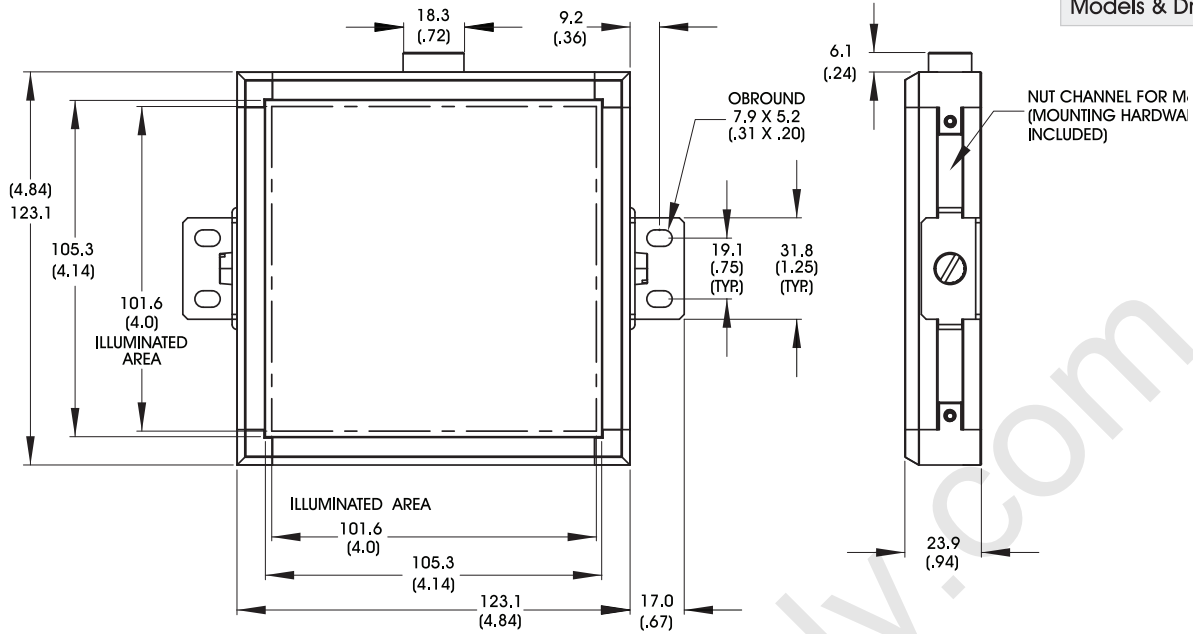
For design help, accessories or pricing, please contact:  
sales@avsupply or call: 1-858-565-1101

**AUDIO VIDEO SUPPLY**

1-800-284-2288 sales@avsupply.com  
www.avsupply.com

Dimensional Information

[Click for Installation Models & Drawings](#)



Cable Length: 1.5 Meter (59")  
 Find installation models at [advancedillumination.com/drawandmodels.html](http://advancedillumination.com/drawandmodels.html)

DIMENSIONS ARE IN MILLIMETERS (INCHES)

Cable Length: 1.5 Meter (59")

DIMENSIONS ARE IN MILLIMETERS (INCHES)

Standard Variation Current Specifications

	blue	green	red	infra-red	white	
@24	320	320	480	480	320	mA
Ai	320	320	480	480	320	mA

Standard Product Information

Red	Max. Illumination	Irradiance (mW/cm <sup>2</sup> )	Illuminance (Lux)
	@ Surface	1.5	N/A
	Lifetime	50,000 hrs	

White	Max. Illumination	Irradiance (mW/cm <sup>2</sup> )	Illuminance (Lux)
	@ Surface	5.0	20,000
	Lifetime	50,000 hrs	

General Specifications

Weight: 454 g (1lb)  
 Finish: Black Anodized  
 Operating Temperature: 0-60° C  
 Meets Specifications: CE, RoHS

Additional Information

**CAUTION:** This light requires mounting in such a way as to facilitate proper heat sinking, which will help ensure long life and stable operation. *Due to the potential of high surface temperatures, care must be exercised when installing or adjusting the product while energized.*

Various methods for effective heat transfer can be used, including:

- Ensuring that the entire backside of the light is in contact with a heat sinking thermal mass
- Using external fans placed in the proximity of the light to ensure air flow over the backside of the light
- Operating light at reduced input voltage when applicable

For additional information on thermal mounting techniques, contact Ai.

Distributed By: Audio Video Supply -- Tel: 1-800-284-2288 -- www.avsupply.com