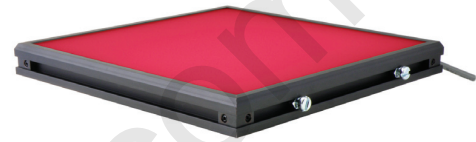


## BLxxyy

### Surface Mount LED Back Light

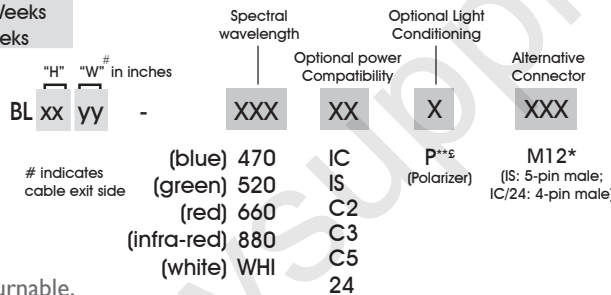


- Ai** Extremely consistent light over the entire active area of illumination
- Ai** Available in 1" x 1" increments; Sizes from 1" x 1" up to 22" x 34"

#### Ordering Information

Standard Product Variation:

**Red & Infra-red:** Shipped Within 2 Weeks  
**White:** 3 Weeks **Blue & Green:** 4 Weeks



IC = iCS (requires 24v power supply)  
 IS = ISU (24 volt PS required.)

C2 = Ai Connector  
 C3 = Pulsar 710 Connector  
 C5 = Pulsar 320 Connector

\*\* = Maximum size: 16" x 16"

\* Available with IC, IS, and 24v options only

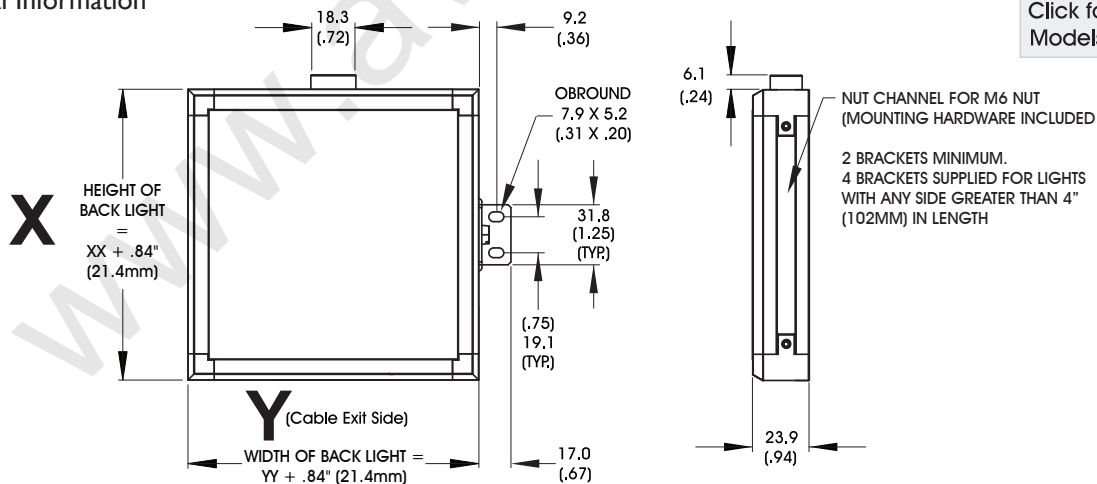
£ = Polarizer is oriented perpendicular to the cable exit side of the light

#### MAXIMUM SIZES PER POWER OPTION:

C2 & IS: 16 square inches (all colors)  
 IC: 64 square inches - Red & IR  
 100 square inches - white/green/blue  
 C3, C5 and 24v lights can be built up to 22" x 34", but will have up to 3 power cables, depending on the size.

Built-to-order lights are non-returnable.

#### Dimensional Information



[Click for Installation Models & Drawings](#)

Cable Length: 1.5 Meter (59")

#### Current Specifications

Maximum draw per 25mm x 25mm (1" x 1") length

	blue	green	red	infra-red	white	
@24	20	20	30	30	20	mA

#### Product Information

Finish: Black Anodized  
 Operating Temperature: 0-60° C  
 Meets Specifications: CE, RoHS  
 LED products provide a lifespan significantly greater than other vision lighting technologies