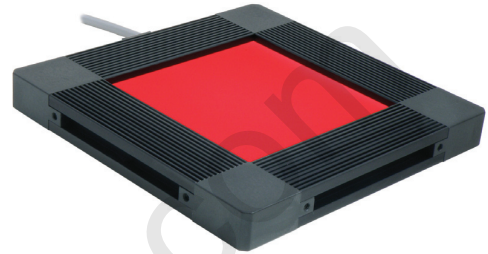




Distributed By: Audio Video Supply -- Tel: 1-800-284-2288 -- www.avsupply.com

BX0404

4" x 4" Side-Fired LED Back Light



- 4i** High intensity and significantly uniform illumination
- 4i** Low heat output
- 4i** 4" x 4" active area of illumination

Ordering Information

Standard Product:
Shipped Next Day

BX0404-625IC
BX0404-WHIC

Configured with inline
Current Source

Standard Product Variation:
Red & White: Shipped Within Two Weeks
Blue & Green: Four Weeks

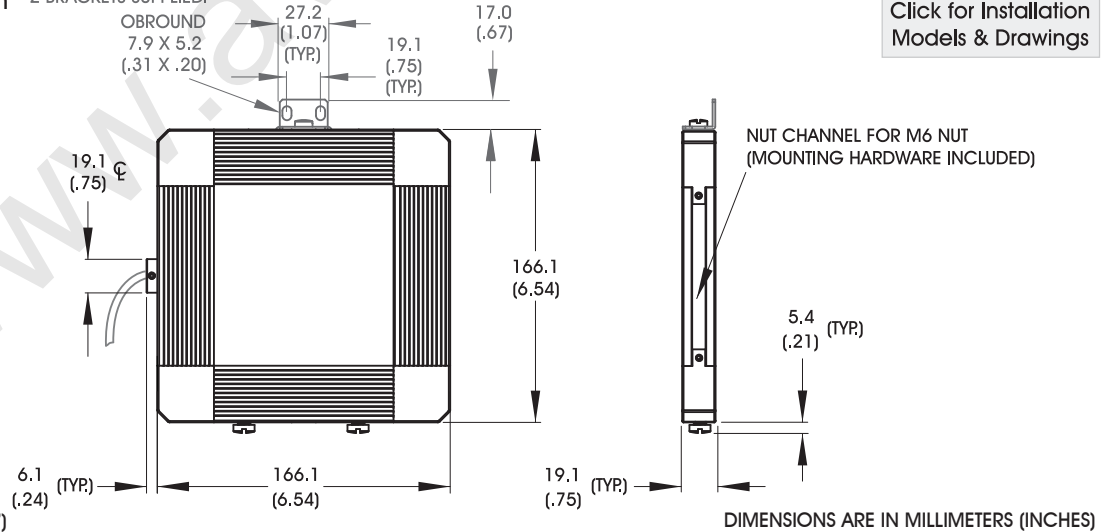
Spectral wavelength	XXX	XX	XXX
	(blue) 455	IC	M12*
Optional power Compatibility	(green) 520	IS	(IS: 5-pin male; IC/24: 4-pin male)
	(red) 625	C3	
Alternative Connector	(white) WHI	C5	

IC = iCS (requires 24v power supply)
IS = ISU (24 volt PS required.)
C3 = Pulsar 710 Connector
C5 = Pulsar 320 Connector
* Available with IC and IS options only

Built-to-order lights are non-returnable.

Dimensional Information

2 BRACKETS SUPPLIED.



[Click for Installation Models & Drawings](#)

Cable Length: 1.5 Meter (59")

Current Specifications

blue	green	red	white	
12W	12W	12W	12W	@24V

Product Information

Finish: Black Anodized
 Operating Temperature: 0-60° C
 Meets Specifications: CE, RoHS
 LED products provide a lifespan significantly greater than other

advancedillumination.com

For design help, accessories or pricing, please contact:
sales@avsupply or call: 1-858-565-1101

