



Distributed By: Audio Video Supply -- Tel: 1-800-284-2288 -- www.avsupply.com

CB0404

4" x 4" Collimated Surface Mount LED Back Light

- Ai** Greatly improves edge detection for curved surfaces
- Ai** Integrated M6 nut channel for mounting (hardware included)



Ordering Information

Standard Product:
Shipped Next Day

CB0404-WHIIC

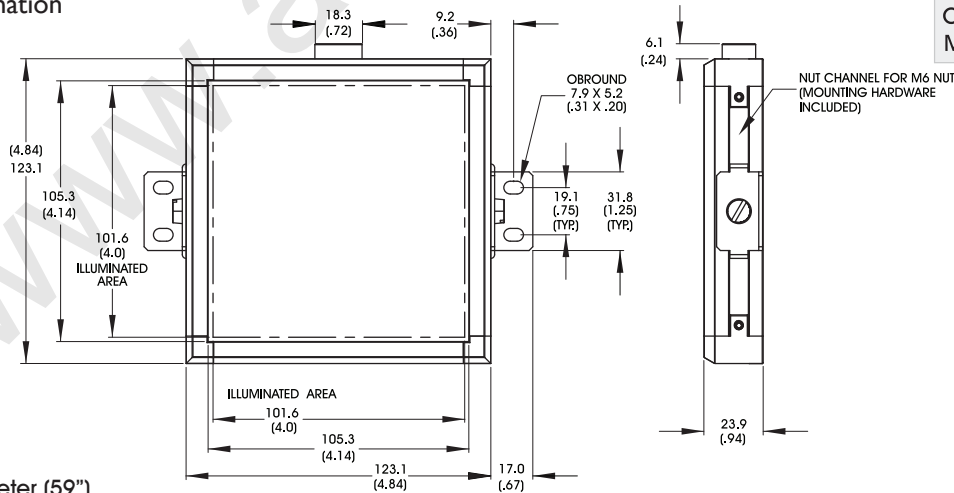
Configured with inline
Current Source

Standard Product Variation:
Red & White: Shipped Within Two Weeks
Blue & Infra-red: 4 Weeks **Green:** 6 Weeks

	Spectral wavelength	Optional power Compatibility	Alternative Connector
CB0404 -	XXX	XX	XXX
	(blue) 470 (green) 520 (red) 660 ⊖ (infra-red) 880 ⊖ (white) WHI	IC IS C2 C3 C5 24	M12* (IS: 5-pin male; IC/24: 4-pin male)

IC = iCS (requires 24v power supply)
IS = ISU (24 volt PS required.)
C2 = Ai Connector
C3 = Pulsar 710 Connector
C5 = Pulsar 320 Connector
★ Available with IC, IS, and 24v options only
⊖ IS option not available

Dimensional Information



[Click for Installation Models & Drawings](#)

Cable Length: 1.5 Meter (59")

Standard Variation Current Specifications

	blue	green	red	infra-red	white	
@24/Ai	320	320	480	480	320	mA

Standard Product Information

Weight: 626.1 g (22 oz)
Finish: Black Anodized
Operating Temperature: 0-60° C
Meets Specifications: CE, RoHS
LED products provide a lifespan significantly greater than other

advancedillumination.com

For design help, accessories or pricing, please contact:
sales@avsupply or call: 1-858-565-1101

AUDIO VIDEO SUPPLY
1-800-284-2288 sales@avsupply.com
www.avsupply.com