

FLIR CHAMELEON[®]3

P/N: CM3-U3-13Y3, USB3 VISION



FLEXIBLE FORM FACTOR + USB3 VISION

The Chameleon3 camera line combines the ease-of-use of USB 3.0, the small size and flexibility of board-level, and the most popular CCD and CMOS image sensors into an affordable package. Available in a compact 44 x 35 x 19.5 mm case or as a 40 x 31 mm board stack. The lightweight metal case is designed for reliability and offers multiple mounting points and a locking USB 3.0 connection. Includes on-camera frame buffer for image retransmission, opto-isolated GPIO with locking connection, and a hassle-free 3-year warranty.

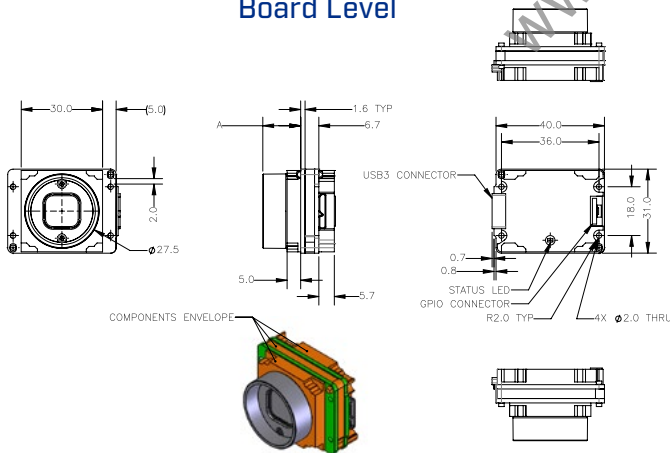


KEY FEATURES

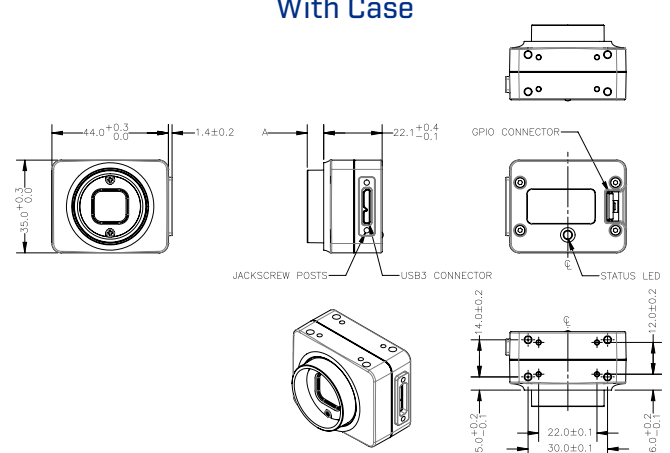
- Boxed and board level available
- On-camera image processing: color interpolation, gamma, and LUT
- 16 MByte frame buffer; LED status indicator
- Sony[®] Pregius Global Shutter CMOS sensor



Board Level



With Case



Specifications

	CM3-U3-50A2M-CS	CM3-U3-50A2C-CS
Firmware		
Resolution	2592 x 1944	2592 x 1944
Frame Rate	14 FPS	14 FPS
Megapixels	5.0 MP	5.0 MP
Chroma	Mono	Color
Sensor	Aptina MT9P031, CMOS, 1/2.5"	Aptina MT9P006, CMOS, 1/2.5"
Readout Method	Rolling shutter	Rolling shutter
Pixel Size	2.2 µm	2.2 µm
Lens Mount	CS-mount	CS-mount
ADC	12-bit	12-bit
Gain Range	Optimize	Optimize
Exposure Range	Minimize to 32 seconds	Minimize to 32 seconds
Trigger Modes	Standard, bulb, multi-shot	Standard, bulb, multi-shot
Partial Image Modes	Pixel binning, ROI	Pixel binning, ROI
Image Processing	Gamma, lookup table, and sharpness	Gamma, lookup table, hue, saturation, and sharpness
HDR Sequencing	Future Feature	Future Feature
Image Buffer	16 MB	16 MB
User Sets	2 memory channels for custom camera settings	2 memory channels for custom camera settings
Flash Memory	1 MB non-volatile memory	1 MB non-volatile memory
Opto-isolated I/O Ports	1 input, 1 output	1 input, 1 output
Non-isolated I/O	2 bi-directional	2 bi-directional
Auxiliary Output	3.3 V, 150 mA maximum	3.3 V, 150 mA maximum
Interface	USB 3.0	USB 3.0
Power Requirements	5 - 24 V via GPIO or 5 V via USB 3.0 interface	5 - 24 V via GPIO or 5 V via USB 3.0 interface
Power Consumption	<3 W maximum	<3 W maximum
Dimensions/Mass	44 mm x 35 mm x 19.5 mm (case enclosed); 40 mm x 31 mm (board level) / 54.9 g (cased) / 27.9 g (board level)	44 mm x 35 mm x 19.5 mm (case enclosed); 40 mm x 31 mm (board level) / 54.9 g (cased) / 27.9 g (board level)
Machine Vision Standard	USB3 Vision v1.0	USB3 Vision v1.0
Compliance	CE, FCC, KCC, RoHS. The ECCN for this product is: EAR099.	CE, FCC, KCC, RoHS. The ECCN for this product is: EAR099.
Temperature	Operating: 0° to 45°C Storage: -30° to 60°C	Operating: 0° to 45°C Storage: -30° to 60°C
Humidity	Operating: 20% to 80% (no condensation) Storage: 20% to 95% (no condensation)	Operating: 20% to 80% (no condensation) Storage: 20% to 95% (no condensation)
Warranty	3 years	3 years

FLIR Integrated Imaging Solutions

CANADA

12051 Riverside Way
Richmond, BC, Canada
V6W 1K7
T: +1 866.765.0827 (toll free)
T: +1 604.242.9937
F: +1 604.242.9938
E: mv-sales@flir.com
www.flir.com/mv

EUROPE

T: +49 7141 488817-0
F: +49 7141 488817-99
E: mv-eusales@flir.com

CHINA

T: +86 10 8215 9938
F: +86 10 8215 9936
E: mv-chinasales@flir.com

For a full list of international distributors and offices visit www.flir.com/contact-us

USA

T: +1 866.765.0827 (toll free)
E: mv-na-sales@flir.com

ASIA

E: mv-asiasales@flir.com

©2017 FLIR® Integrated Imaging Solutions Inc. All rights reserved. Names and marks appearing on the products herein are either registered trademarks or trademarks of FLIR® Systems, Inc. and/or its subsidiaries.