

# Costar CMC2000PVC

## 20" Public View Color Monitors



The CMC2000 Series is a compact and attractive monitor designed to act as a deterrent in high visibility areas, and as a high end video marketing tool. Not only can the internal covert camera be used to deter possible crime but a secondary input can be used for displaying advertising or warning messages when motion is detected. The imbedded high resolution camera is offered in a standard model as well as a wide dynamic range model for extreme lighting conditions. The wireless remote control makes programming changes quick and easy without the need for a ladder. With a standard VESA 100mm rear mounting pattern, the CMC series will accommodate a wide variety of wall or ceiling mounts.

### Product Features

- Compact attractive look for high visibility areas
- Imbedded high resolution public view camera in front bezel
- High resolution Wide Dynamic Range camera option
- Wireless remove control
- TFT-LCD color monitor
- High Brightness and Contrast TFT-LCD color monitor
- High resolution display
- Motion detection capability (internal camera)
- Built-in light sensor
- Three video output connectors
- Easy access flip cover on the rear panel
- 100mm standard VESA mounting pattern



CMC2000PVC/WPVC

# CMC2000PVC Specifications

## Power

Power Source	DC 12 V, 4.9 Amp
Power Consumption	80W max
Safety Compliance	UL
EMI Compliance	FCC, CE

## General Information

Resolution	640 x 480
TV System	NTSC/PAL
LCD Panel	20.1" (510.54mm) diagonal
Viewing Angle	H: +/- 85° V: +/- 85° D: +/- 85°
Color	16.2 Million
Brightness	350cd/m
Response Time	30 ms
Contrast	400:1

## Mechanical

Input/Output	
Video	Video 1 Input (BNC) Video 2 Input (BNC) internal camera
Audio	Stereo Right/Left (RCA)
Speaker Output	2.5W (1.0 Watt each)
Mounting	100mm VESA Standard
Dimensions	472(W) x 451(H) x 89(D) mm
Weight	19.62 lbs. (8.9 Kg)

## Environmental Specifications

Operating Temperature	50°F to 104°F (10°C to + 40°C)
Operating Humidity	20% - 80% RH non-condensing
Storage Temperature	-4°F to 113°F (-20°C to + 60°C)
Storage Humidity	20% - 95% RH non-condensing

## Camera

CMC2000PVC	High resolution color
CMC2000WPVC	High resolution color with Wide Dynamic Range
Camera Video Input	1.0Vp-p@75 Ohms
CCD Image Sensor	1/3"
Resolution	470 TVL
Sensitivity	1 lux (F2.0, 50 ire)
S/N Ratio	50Db
Auto Iris	Yes
Electronic Shutter	1/60 ~ 1/100,000 sec.
Lens	4-9mm DC auto iris
Camera Video Input	Composite
Video Mode	NTSC/PAL
Video Output	3 composite (BNC)

## Recommended Video Recorders

CR3960	30-hour virtual real-time/960-hour high-density recorder with time/date search
CR400 Series	4 channel DVR, 120 fps, 1 channel POS, 4 audio, CD-RW, Linux
CRV Series	4, 8 or 16 channel DVR, 120 fps, 4 audio CD-RW, Linux
CR0900X/1600X Series	9, 16 channel DVRs, up to 120 fps, Linux
CR4XXX Series	16, 32 channel DVRs, up to 480 fps, Windows XPe

## Mounting Options

CMC1000MB	Ceiling mount, 10"-21" LCD monitors 25 lbs, 75 & 100 mm VESA, black
CMC1000MBW	Ceiling mount, 10"-21" LCD monitors 25 lbs, 75 & 100 mm VESA, white
CMC1000AK	Adapter kit for CMC1000 Series ceiling mount for 1" NPT
CMC1000CP	Ceiling plate for CMC1000 Series ceiling mount for 1" NPT

*Design and specifications subject to change without notice. Conversion: 1" = 25.4mm  
Measurement conversions are approximate.*

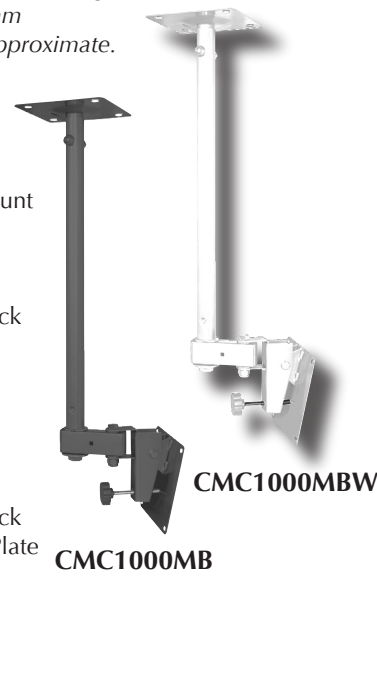
## Mount Options

CMC1000MB (Black) Ceiling Mount  
CMC1000MBW (White)

- Up to 32 lbs
- Adjustable from 25" to 41"
- 180° Left to Right/Front to Back
- Cable Feed-through Tube

CMC2000MB Wall Mount

- Up to 26 lbs
- 180° Left to Right/Front to Back
- 360° Rotation on Mounting Plate
- Black



Model	Description
CMC2000PVC	Monitor, Public View LCD, 20.1" TFT, built-in high res 480 TVL, color varifocal 4-9mm camera
CMC2000WPVC	Monitor, Public View LCD, 20.1" TFT, built-in high res 480 TVL, Wide Dynamic Range color varifocal 4-9mm camera