

CX0404

Collimated 4" x 4" Side-Fired LED Back Light



- 4i** High intensity and significantly uniform illumination
- 4i** Collimation greatly improves edge detection of curved objects
- 4i** Low heat output

Ordering Information

Standard Product:
Shipped Next Day

CX0404-WHIC

Configured with inline
Current Source

Standard Product Variation:
Red & White: Shipped Within Two Weeks
Blue & Green: Four Weeks

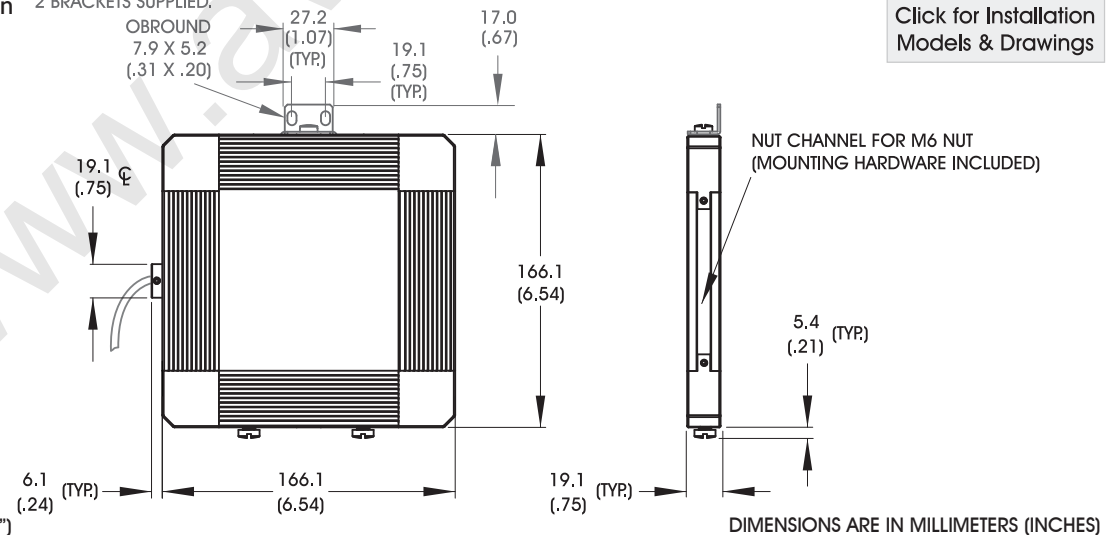
CX0404-	Spectral wavelength	Optional power Compatibility	Alternative Connector
	XXX	XX	XXX
	(blue) 455 (green) 520 (red) 625 (white) WHI	IC IS C3 C5	M12* (IS: 5-pin male; IC/24: 4-pin male)

IC = iCS (requires 24v power supply)
IS = ISU (24 volt PS required.)
C3 = Pulsar 710 Connector
C5 = Pulsar 320 Connector
* Available with IC and IS options only

Built-to-order lights are non-returnable.

Dimensional Information

2 BRACKETS SUPPLIED.



[Click for Installation Models & Drawings](#)

Cable Length: 1.5 Meter (59")

Current Specifications

blue	green	red	white	
12W	12W	12W	12W	@24V

Product Information

Finish: Black Anodized
 Operating Temperature: 0-60° C
 Meets Specifications: CE, RoHS
 LED products provide a lifespan significantly greater than other visible light technologies.