



- Aii** 3x brighter than standard LEDs in the DL9160 dome
- Aii** Rugged metal construction.

Ordering Information

Stock Product: Shipped Next Day

Standard Product Variation: Shipped Within Two Weeks

DL097-WHIIC

Configured with in-line current source (ICS)

DL097	-	XXX		XX		XXX
		(blue) 470	Spectral wavelength	IC	Optional power compatibility	M12*
		(green) 530		i3		(i3: 5-pin male; IC: 4-pin male)
		(red) 625♦		C2		
		(IR) 850		C3		
		(white) WHI		C5		
		(all color) RGB!♦		24		

IC = ICS (requires 24v power supply)
i3 = Combined continuous-on and strobe over-drive (24 volt PS required.)
C2 = Ai Connector
C3 = Pulsar 710 Connector
C5 = Pulsar 320 Connector
* Available with IC, i3 and 24v options only
♦ Not available in 24v version
! - Not available in IC, i3, or C5

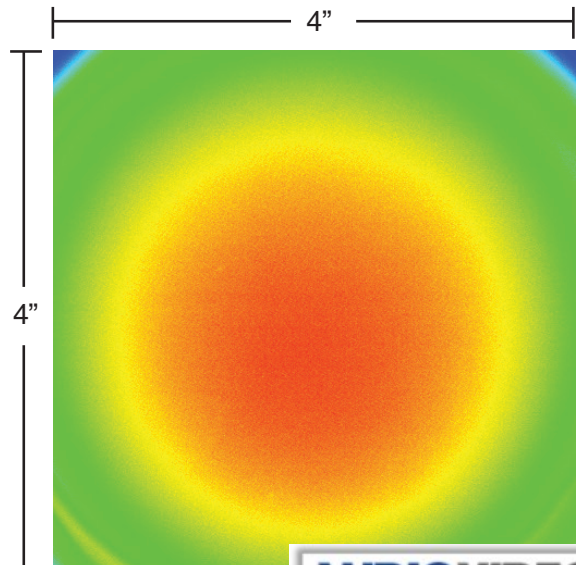
Optimal working distance:
25.4mm (1")
Effective Working Range:
12.7-50mm (.5"-2")

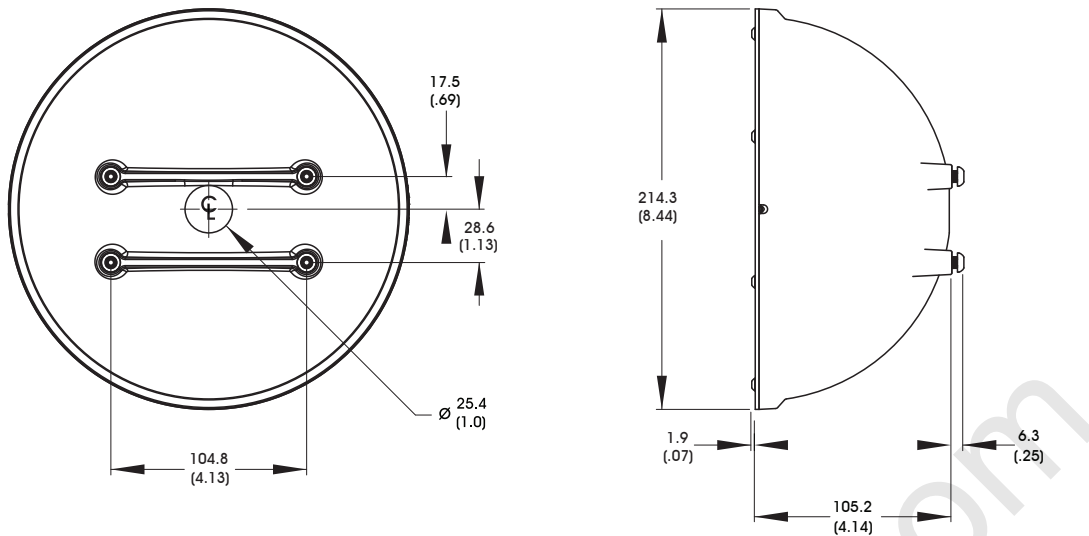
Irradiance (mW/cm²) & Illuminance (Lux)

Red	Max. Illumination	Irradiance (mW/cm ²)
	Working Distance: 25mm (1")	3.25

White	Max. Illumination	Irradiance (mW/cm ²)	Illuminance (Lux)
	Working Distance: 25mm (1")	3.48	15,300

Intensity Distribution





STANDARD CABLE LENGTH: 1.5 Meter (59")

DIMENSIONS ARE IN MILLIMETERS (INCHES)

Standard Variation Current Specifications

	blue	green	amber	red	infra-red	white	
Ai / iCS	700	700	700	700	700	700	mA

General Specifications

Weight:	1,728 g (60.8 oz)	Operating Temperature:	0-60 C°
Finish:	Black Anodized	Meets Specifications:	CE, RoHS

Power Options

C2 CONNECTOR

Current Regulators:
CS100, CS100-IC
CS300, CS300-IC

Intensity Controllers:
MS210, MS220
CS410, CS420

Strobe Controllers:
S4000
S6000
S6000-AS

C3 CONNECTOR

Strobe Controller:
Pulsar 710

C5 CONNECTOR

Strobe Controller:
Pulsar 320

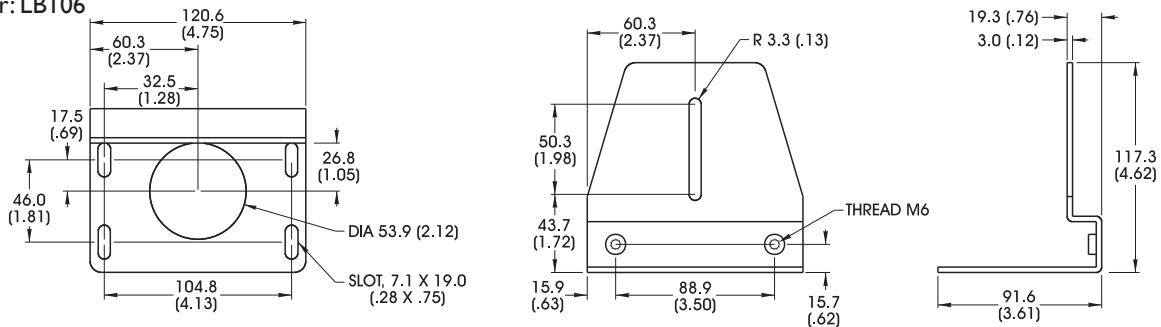
IC: Inline Current Source:

Power Supplies:
PS24-TL (1.6A)
PS24-1.75 (1.75A)
PS24-4 (4.2A)
PS24-10 (10A)
PS24-20 (20A)

i3: Inline Strobe Unit:

Power Supplies:
PS24-TL (1.6A)

Optional Mounting Bracket
Part Number: LB106



802.767.3830

V1 Rev.11.08.2013

For design help, accessories or pricing, please contact:
sales@avsupply or call: 1-858-565-1101