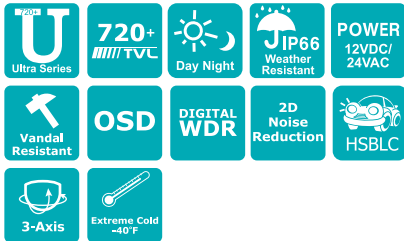


# EHD700A

## Outdoor Day/Night 3-Axis Vandal Dome Camera



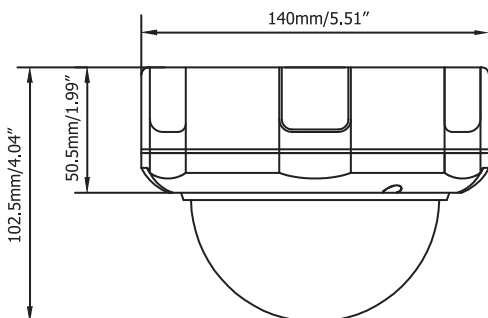
NEW



### Features

- Ultra resolution of over 720 horizontal TV lines for astounding image
- Exview HAD II sensor delivers amazing ultra high sensitivity of 0.05 lux – very low light sensitivity without DSS low light boost - Zero Ghosting guaranteed
- Varifocal 2.8~12mm DC iris lens to capture the desired field of view
- Adaptive Tone Curve Reproduction (ATR/WDR) to deliver properly exposed images despite unbalanced lighting in the scene
- Provides 2D-Noise Reduction to improve picture clarity while enabling DVRs to improve disk storage utilization
- Easy to use OSD setup menu
- Vandal Resistant construction able to withstand intentional damage
- Digital Wide Dynamic Range expansion to deliver properly exposed images despite bright light sources, deep shadows and/or unbalanced lighting in the same scene
- The flexible angle viewing with its 3 Axis rotation design allows wall or ceiling mounting
- IP66 weather resistance rating means that it will withstand the elements of outdoor Conditions
- Convenient speedy-mount base plate easily attaches to surface, camera attaches to plate with machine screws

### Dimensions



### Specifications

Part number	EHD700A
Pickup Device	1/3" Sony Exview HAD II 960H High Sensitivity Interline CCD
Video Format	NTSC / PAL
Picture Elements	1020 x 508 (NTSC) / 1020 x 596 (PAL)
Effective Pixels(NTSC/PAL)	976 x 494 (NTSC) / 976 x 582 (PAL)
Scanning System	2:1 Interlace
Horizontal Resolution	720+ TVL
Sensitivity	0.05 Lux native from sensor
S/N Ratio	Over 50dB (AGC off)
Electronic Shutter	1/60(1/50)~1/100,000s
Video Output	BNC 1.0Vp-p 75Ω
Gamma Correction	0.45
Lens Type	2.8-12mm DC Iris
Lens Option	Varifocal
BLC	OFF/BLC/HS BLC Selectable
Gain Control	Low light auto, bright light auto, manual selectable
White Balance	ATW/One Push/User2/Anti-Crawl/Manual/Push Lock
Sync Mode	Internal(plus Anti-Chroma Crawl White Balance option)
Day/Night	Auto
OSD Menu	Multiple Functions
OSD Languages	English, Spanish, Portuguese, German, Russian, Japanese, Chinese, French
Digital Noise Reduction	On/Off
ATR	On/Off(3 levels each adjustable for luminance and contrast)
Wide Dynamic Range	On/Off(3 levels each adjustable for luminance and contrast)
Mirror	On/Off
Motion Detection	Off/On for 4 selectable zones (On screen indication on alarm)
Privacy Mask	Off/On for 8 selectable zones
Environmental	IP66 Weather Resistant
Power Source	12VDC / 24VAC
Power Consumption	Heater Off - 12VDC: 140 mA, 2W max. / 24VAC: 4W max. Heater On - 12VDC: 170 mA, 2.5W max. / 24VAC: 5.5W max.
Operating Temperature	-40°C~50°C / -40°F~122°F
Humidity	Less than 80%
Dimensions	140x 102.5mm / 5.51" x4.04"
Weight	940g / 2.07lbs
Certifications	CE, FCC, RoHS

\* All product specifications are subject to change without notice  
 \* Models vary in different countries. Please visit EverFocus regional websites for detailed ordering information  
 \* Lens models and availability vary in different regions