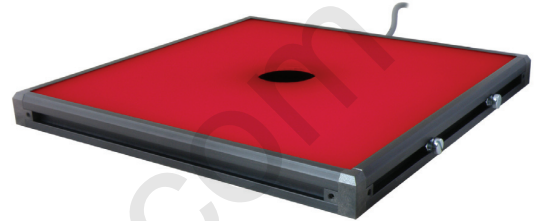


## FDXXYY

### Expandable Flat Diffuse Illuminator



- 4i) Space saving design for illuminating highly reflective objects
- 4i) Diffuse illumination in 1" x 1" increments; Sizes from 4" x 4" to 22" x 34" (even) or 3" x 3" up to 21" x 33" (odd)
- 4i) Multi-hole model available as custom - call for details

#### Ordering Information

Standard Product Variation:  
**Red & White:** Shipped Within Four Weeks  
**Blue & Infra-red:** 5 Weeks **Green:** 7 Weeks

Lights with a surface area of greater than 16 square inches require either 24v wiring, or the use of the Pulsar 710 power supply.

\* Lights must be ordered with either ODD/ODD or EVEN/EVEN dimensions.

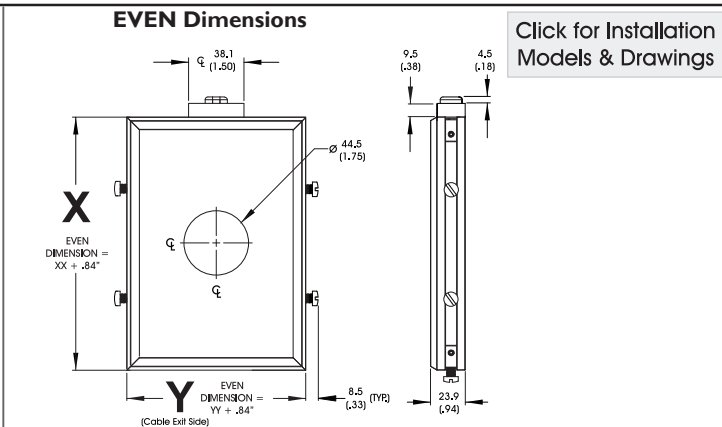
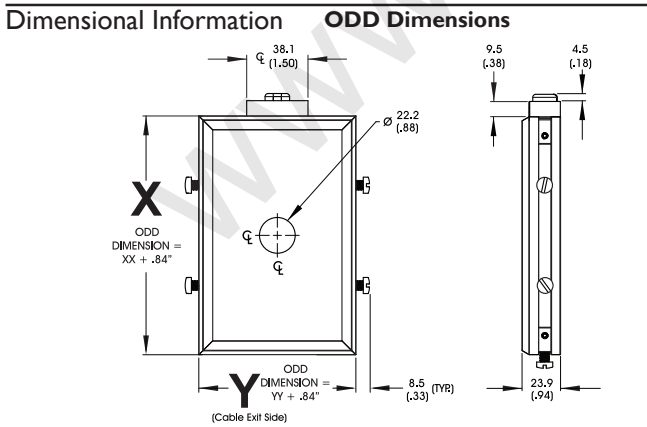
Minimum ODD dimension: 3"  
 Minimum EVEN dimension: 4"

FD	XX	YY	-	XXX	XX	X	XXX
	"H"	"W"	#	Spectral wavelength	Optional power Compatibility	Optional Light Conditioning	Alternative Connector
	in inches*						
	# indicates cable exit side			(blue) 470	IC <sup>‡</sup>	P** <sup>‡</sup>	M12*
				(green) 520	C2	(Polarizer)	(male)
				(red) 660	C3		
				(infra-red) 880	C5		
				(white) WHI	24		

IC = iCS (requires 24v power supply)  
 C2 = Ai Connector  
 C3 = Pulsar 710 Connector  
 C5 = Pulsar 320 Connector  
<sup>‡</sup> Available on Red and Infrared lights up to 50 square inches; and greater than 6 square inches, up to 50 square inches for White, Blue and Green lights.  
 \* Available with IC and 24v options only  
 \*\* Polarizer is oriented perpendicular to the cable exit side of the light

**Effective Working Range:**  
 75-300mm (3"-12")

Built-to-order lights are non-returnable.



Click for Installation Models & Drawings

#### Current Specifications

Maximum draw per 25mm x 25mm (1" x 1") length

	blue	green	red	infra-red	white	
@24	20	20	30	30	20	mA

#### Standard Product Information

Finish:	Black Anodized
Operating Temperature:	0-60° C
Meets Specifications:	CE, RoHS
LED products provide a lifespan significantly greater than other visior	