



GimaGO

G0740B/C

net 
NEW ELECTRONIC TECHNOLOGY

AUDIOVIDEO SUPPLY

1-800-284-2288 sales@avsupply.com
www.avsupply.com

For design help, accessories or pricing, please contact:
sales@avsupply or call: 1-858-565-1101

TECHNICAL DATA

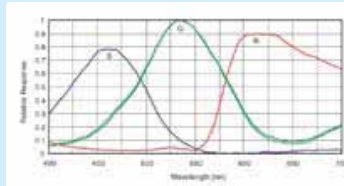


G0740B/C

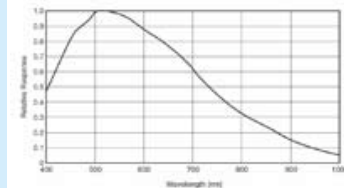
- 2/3" progressive scan CCD image sensor
- Resolution 5.050.000 Pixel QSXGA
- Gigabit ethernet interface
- G0740B = monochrome, G0740C = color
- External trigger
- Frame rate 15 fps
- Camera setting via gigabit ethernet interface
- Auto iris lens control
- Free application software and viewer

APPLICATION

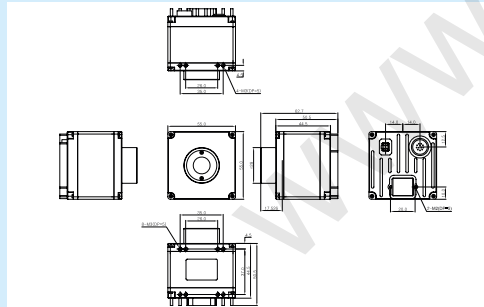
- Machine vision
- Quality control
- Factory automation
- Semi con Inspection
- Microscopy + Medical
- Barcode, OCR, OCV



Spectral Sensitivity for G0740C



Spectral Sensitivity for G0740B



	G0740B	G0740C
Resolution (H x V) [px]	2448 x 2048 / QSXGA	
Sensor	CCD	
Image sensor	ICX625ALA/AQA	
Sensor size	2/3"	
Pixel size [µm]	3.45 x 3.45	
Frame rate [fps]	15	
Shutter speed	5 µs - 3600 s	
Data path	for b/w model: 8 bit or 12 bit for color model: 8 bit or 12 bit Raw RGB + YUV422/YUV411	
Binning	for b/w model: 2 x 2 and G0531C (color)	
Partial scan	ROI (Unit: 4 x 4)	
Trigger	external / software	
Strobe	normal / trigger	
Gain [dB]	0 - 18	
Lens	C- / CS-mount	
Scanning system	progressive scan	
Control function	for b/w: brightness, sharpness, gamma, auto-exposure, auto-gain, auto-shutter for color: brightness, sharpness, gamma, auto-exposure, shutter, U/B, V/R, Hue/G (digital gain), auto white balance, LUT	
Feature save/load	9 channels	
SIO (RS-232)	path through or NET command	
S/N ratio [dB]	> 56	
Interface	Gigabit ethernet interface according to GigE vision standard / 1 Gbps	
Operating temperature	-5 to +45° C	
Dimension (WxHxD) [mm]	55 x 55 x 44.5	
Regulations	FCC, CE, RoHS	
Power consumption [W]	5	
Advanced features	auto iris lens control	

NET New Electronic Technology GmbH
 Lerchenberg 7
 86923 Finning, Germany
 Tel: +49 8806 9234 0
 Fax: +49 8806 9234 77
 info@net-gmbh.com
 www.net-gmbh.com

NET Italia S.r.l.
 Via Carlo Pisacane, 9
 25128 Brescia, Italy
 Tel: +39 030 5237 163
 Fax: +39 030 5033 293
 info@net-italia.it
 www.net-italia.it

NET USA, Inc.
 3037 45th Street
 Highland IN 46322, USA
 Tel: +1 219 934 9042
 Fax: +1 219 934 9047
 info@net-usa-inc.com
 www.net-usa-inc.com

NET Japan Co., Ltd.
 2F Shin-Yokohama 214 Bldg.
 2-14-2 Shin-Yokohama, Kohoku-ku,
 Yokohama-shi, 222-0033, Japan
 Tel: +81 45 478 1020
 Fax: +81 45 476 2423
 info@net-japan.com
 www.net-japan.com

Technical changes, errors and omissions excepted. 10/2011

For design help, accessories or pricing, please contact:
 sales@avsupply or call: 1-858-565-1101