

FLIR GRASSHOPPER[®] 1394b



HIGH RESOLUTION + HIGH FPS + COMPACT

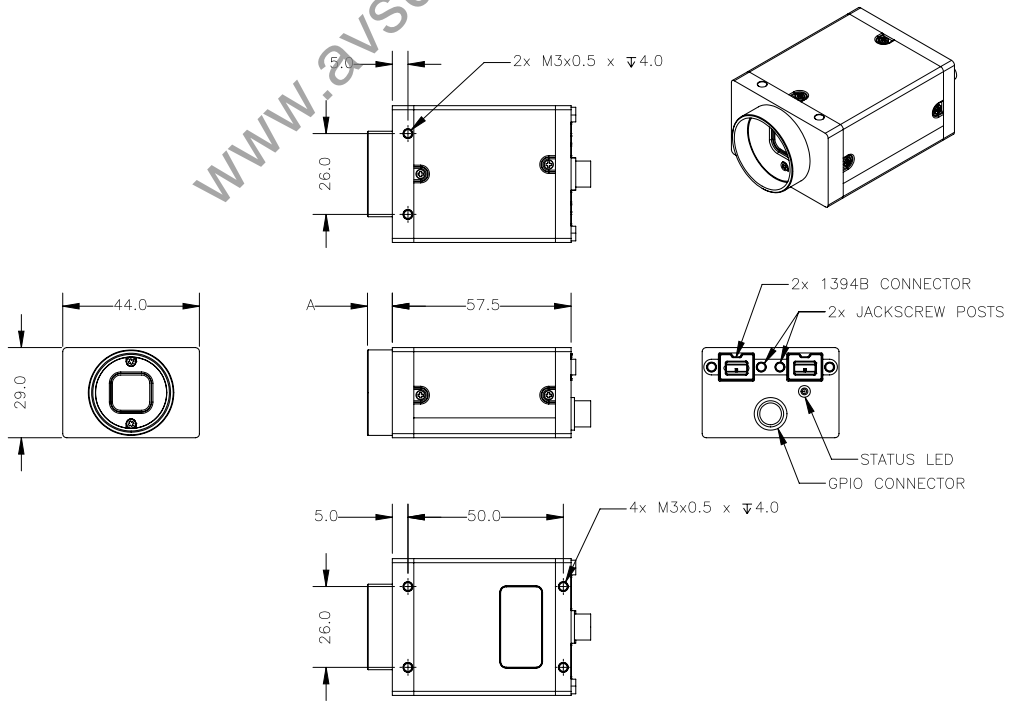
The Grasshopper digital camera line is a complete, cost effective and reliable imaging solution. A variety of large format, high resolution image sensors, combined with an IEEE-1394b 800Mb/s interface, makes the Grasshopper an ideal choice for demanding imaging applications such as semiconductor inspection and high-speed assembly.

KEY FEATURES

- High speed 14-bit A/D converter
- Dual IEEE-1394b ports for daisy chaining
- Industry standard design, compact case



FireWire



Specifications

| MODEL | VERSION | MP | IMAGING SENSOR |
|-------------------------------|--|--------|--|
| GRAS-03K2C-C | Color | 0.3 MP | <ul style="list-style-type: none"> ■ Kodak KAI0340 CCD, 1/3", 7.4 μm ■ Global Shutter ■ 640x480 at 200 FPS |
| GRAS-03K2M-C | Mono | | |
| GRAS-03S3M-C | Mono | 0.3 MP | <ul style="list-style-type: none"> ■ Sony ICX414 CCD, 1/2", 9.9 μm ■ Global Shutter ■ 648x488 at 74 FPS |
| GRAS-14S3C-C | Color | 1.4 MP | <ul style="list-style-type: none"> ■ Sony ICX267 CCD, 1/2", 4.65 μm ■ Global Shutter ■ 1384x1032 at 21 FPS |
| GRAS-14S3M-C | Mono | | |
| GRAS-14S5C-C | Color | 1.4 MP | <ul style="list-style-type: none"> ■ Sony ICX285 CCD, 2/3", 6.45 μm ■ Global Shutter ■ 1384x1036 at 15 FPS |
| GRAS-14S5M-C | Mono | | |
| GRAS-20S4C-C | Color | 2.0 MP | <ul style="list-style-type: none"> ■ Sony ICX274 CCD, 1/1.8", 4.4 μm ■ Global Shutter ■ 1624x1224 at 30 FPS |
| GRAS-20S4M-C | Mono | | |
| GRAS-50S5C-C | Color | 5.0 MP | <ul style="list-style-type: none"> ■ Sony ICX625 CCD, 2/3", 3.45 μm ■ Global Shutter ■ 2448x2048 at 15 FPS |
| GRAS-50S5M-C | Mono | | |
| A/D Converter | 14-bit | | |
| Image Data Output | 8, 12, 16 and 24-bit digital data | | |
| Image Data Formats | Y8, Y16 (all models), RGB, YUV411, YUV422, YUV 444, 8-bit and 16-bit raw Bayer data (color models) | | |
| Partial Image Modes | Pixel binning and region of interest (ROI) modes | | |
| Image Processing | Gamma, lookup table, white balance | | |
| Gain | Automatic/Manual/One-Push Gain modes 0 dB to 24 dB | | |
| Gamma | 0.50 to 4.00, programmable lookup table | | |
| White Balance | Automatic/manual modes, programmable via software | | |
| Color Processing | On-camera in YUV or RGB format, or on-PC in Raw format | | |
| Digital Interface | Two IEEE-1394b interfaces with screw locks for camera control, video data transmission, and power | | |
| Transfer Rates | 100, 200, 400, 800 Mb/s | | |
| GPIO | 8-pin Hirose HR25 GPIO connector for power, trigger, strobe, PWM, and RS232 | | |
| External Trigger Modes | IIDC Trigger Modes 0, 1, 3, 14, and 15 | | |
| Synchronization | Via external trigger or software trigger | | |
| Shutter | Global Shutter Automatic/Manual/One-Push/Extended Shutter modes 0.02 ms to >10 seconds (extended shutter mode) | | |
| Image Buffer | 32 MB frame buffer | | |
| Memory Channels | 2 memory channels for custom camera settings | | |
| Flash Memory | 512 KB | | |
| Dimensions | 58 mm x 44 mm x 29 mm (excluding lens holder and connectors) | | |
| Mass | 104 g (without optics or tripod mounting bracket) | | |
| Power Consumption | 8 to 30 V, 3.5 W at 12 V via GPIO or FireWire interface | | |
| Camera Specification | IIDC v1.31 | | |
| Camera Control | via FlyCapture SDK, CSRs, or third party software | | |
| Camera Updates | In-field firmware updates | | |
| Lens Mount | C-mount | | |
| Temperature | Operating: 0° to 40°C; Storage: -30° to 60°C | | |
| Emissions Compliance | CE, FCC, RoHS | | |
| Operating System | Vista SP1, Windows7, Linux Ubuntu 8.04 | | |
| Warranty | Three years | | |

FLIR Integrated Imaging Solutions

CANADA

12051 Riverside Way
Richmond, BC, Canada
V6W 1K7
T: +1 866.765.0827 (toll free)
T: +1 604.242.9937
F: +1 604.242.9938
E: mv-sales@flir.com
www.flir.com/iis

USA

T: +1 866.765.0827 (toll free)
E: mv-na-sales@ptgrey.com

EUROPE

T: +49 7141 488817-0
F: +49 7141 488817-99
E: mv-eusales@flir.com

CHINA

T: +86 10 8215 9938
F: +86 10 8215 9936
E: mv-chinasales@flir.com

ASIA

E: mv-asiasales@ptgrey.com

DISTRIBUTORS

JAPAN

ViewPLUS Inc. (www.viewplus.co.jp)

KOREA

CYLOD Co., Ltd. (www.cylod.com)

CHINA

LUSTER LightVision (www.lusterinc.com)

SINGAPORE, THAILAND, MALAYSIA

Voltrium Systems (www.voltrium.com.sg)

TAIWAN

Apo Star Co., Ltd. (www.apostar.com.tw)

UNITED KINGDOM AND IRELAND

ClearView Imaging (www.clearviewimaging.co.uk)

©2017 FLIR® Integrated Imaging Solutions Inc. All rights reserved. Names and marks appearing on the products herein are either registered trademarks or trademarks of FLIR® Systems, Inc. and/or its subsidiaries.