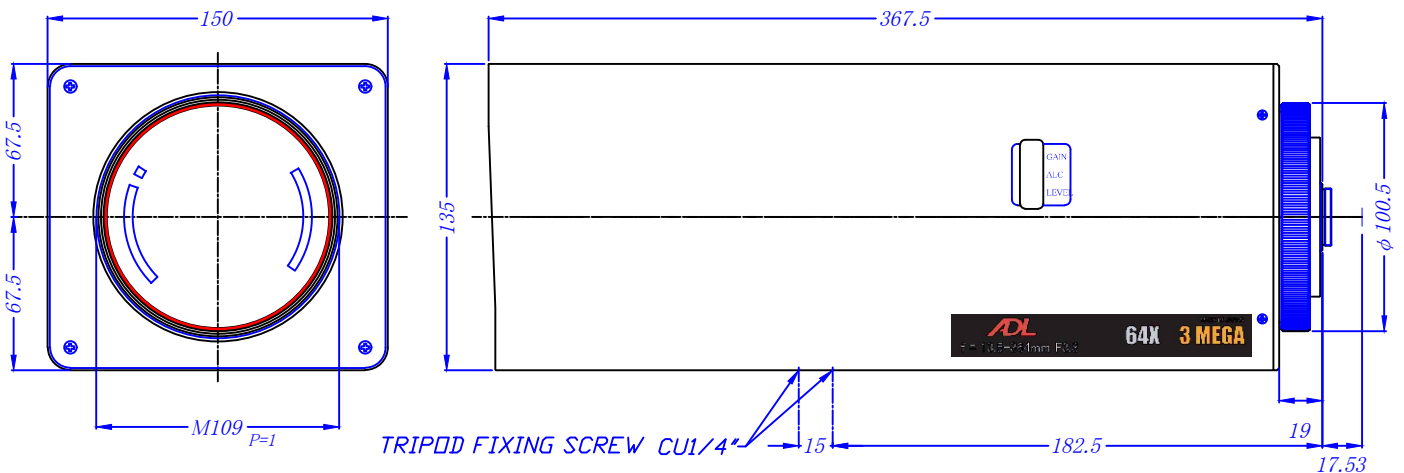


## HZ64X1338DP

Type	AI ZOOM	Mount	C	1/1.8"				
Focal Length	13.5~864mm	Back Focus	31.28mm					
Fno.	F3.8	Mechanical Bf	17.53mm					
Designed Image Format	1/1.8"(7.0x5.3mm)	Exit Pupil	-74.11mm					
Operation Range	Iris	F3.8-CLOSE	Filter Size	M109 P=1				
	Focus	5.0m ~ infinity	Aperture	Front	∅ -			
	Zoom	13.5~864mm		Rear	∅ -			
Control	Iris	DC Galvanometer	Dimension	135x150x367.5mm				
	Focus	DC Motor				Weight	5350 g	
	Zoom	DC Motor						
Object Size at MOD	Wide	2454.0x 1842.0mm						
	Tele	39.4x 29.6mm						
Field of View	D	-	1/3"	-				
	H	1/1.8" 28.4~0.47°		19.3~0.32°				
	V	21.3~0.35°		14.5~0.24°				
Control	Iris	Focus	Zoom					
Driving Coil/Supply Volt.	190Ω	DC 6-12V	DC 6-12V					
Damping Coil/Current	1000Ω	60mA or less	60mA or less					
Response Time	about 2 sec.	about 8 sec.	about 8 sec.					
Potentiometer	-	-	-					
Light Measuring Method	-							
Input Signal	-							
Iris Accuracy	-							
Sensitivity Adjustment	-							
Operating Temperature	-10 ~ +50 degree C				DP			

### DIMENSIONS



### CABLE CONNECTION

#### IRIS

4 - PIN PLUG

- ① (-) DAMPING COIL
- ② (+) DAMPING COIL
- ③ (+) DRIVING COIL
- ④ (-) DRIVING COIL

### DRIVE CTRL

HDAB-15P(HIROSE)

- FOCUS { ① + FAR
- ② -
- ZOOM { ③ + WIDE
- ④ -
- POTENTIO { ⑧ F.POT(-)
- METER { ⑨ Z.POT WIP
- ⑩ F.POT WIP
- ⑪ F.POT(+)
- ⑫ Z.POT(+)
- ⑬ Z.POT(-)