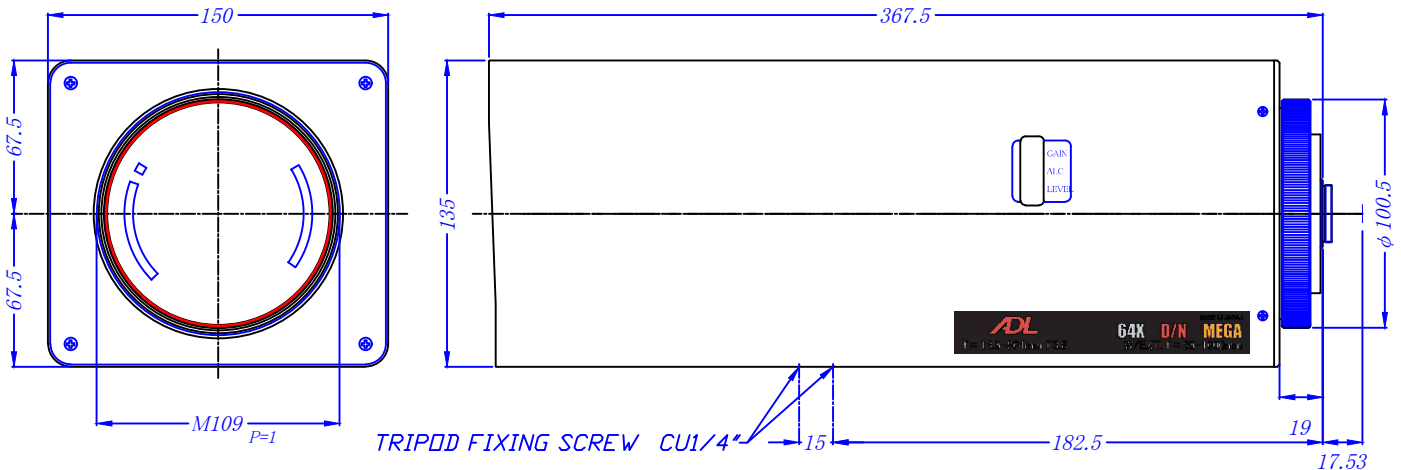


HZ64X1338DPXFIR

| | | | | | | | | |
|---------------------------|--------------------|-------------------|-----------------|-----------------|-----|--------|--------|--|
| Type | AI ZOOM | Mount | C | 1/1.8" | | | | |
| Focal Length | 13.5~1600mm | Back Focus | 31.28mm | | | | | |
| Fno. | F3.8 | Mechanical Bf | 17.53mm | | | | | |
| Designed Image Format | 1/1.8"(7.0x5.3mm) | Exit Pupil | -74.11mm | | | | | |
| Operation Range | Iris | F3.8-CLOSE | Filter Size | M109 P=1 | | | | |
| | Focus | 5.0m ~ infinity | Aperture | Front | ∅ - | | | |
| | Zoom | 13.5~1600mm | | Rear | ∅ - | | | |
| Control | Iris | DC Galvanometer | Dimension | 135x150x367.5mm | | | | |
| | Focus | DC Motor | | | | Weight | 5950 g | |
| | Zoom | DC Motor | | | | | | |
| Object Size at MOD | Wide | 2454.0x 1842.0mm | | | | | | |
| | Tele | 39.4x 29.6mm | | | | | | |
| Field of View | D | - | - | | | | | |
| | H | 1/1.8" 28.4~0.23° | 1/3" 19.3~0.17° | | | | | |
| | V | 21.3~0.35° | 14.5~0.24° | | | | | |
| Control | Iris | Focus | Zoom | | | | | |
| Driving Coil/Supply Volt. | 190Ω | DC 6-12V | DC 6-12V | | | | | |
| Damping Coil/Current | 1000Ω | 60mA or less | 60mA or less | | | | | |
| Response Time | about 2 sec. | about 8 sec. | about 8 sec. | | | | | |
| Potentiometer | - | - | - | | | | | |
| Light Measuring Method | | | | | | | | |
| Input Signal | | | | | | | | |
| Iris Accuracy | | | | | | | | |
| Sensitivity Adjustment | | | | | | | | |
| Operating Temperature | -10 ~ +50 degree C | | | DP | | | | |

DIMENSIONS



CABLE CONNECTION

IRIS

4 - PIN PLUG

- ① (-) DAMPING COIL
- ② (+) DAMPING COIL
- ③ (+) DRIVING COIL
- ④ (-) DRIVING COIL

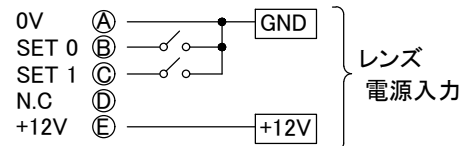
DRIVE

HDAB-15P(HIROSE)

- FOCUS { ① + FAR
② -
- ZOOM { ③ + WIDE
④ -
- POTENTIO
-METER { ⑩ LENS POT.(+)
⑪ F.POT WIP
⑫ Z.POT WIP
⑬ LENS POT.(-)
- EXTENDER { ⑭ -
⑮ + 2X

FILTER

R05-R5M(TAJIMI)



近赤外波長選択

| SET 0 | SET 1 | フィルター |
|-------|-------|-------|
| OFF | OFF | 可視光 |
| ON | OFF | 850nm |
| OFF | ON | 880nm |
| ON | ON | 950nm |