



HD Low Profile Indoor Camera

- 2.1 Mega Pixel, 1/3" Exmor SONY CMOS
- 1080p (1920x1080) @ 30fps (Standard)
- WDR, BLC, AGC, 3DNR
- 3.7mm Board Lens
- Privacy Masking
- Convenient OSD
- HD-SDI (BNC) / Service Video Output
- DC12V Only



Key Features

- Wide Dynamic Range (WDR)
- 3D Digital Noise Reduction (3DNR)
- Digital Zoom up to 20x
- 24 zone Privacy Masking
- Fast Shutter Speed (1/60 ~ 1/100,000 sec)

HD camera delivers a megapixel quality video without requiring IT network bandwidth, dropping packets, or reduced resolution from compression.



Convenient OSD Menu

All camera operation can be controlled by OSD (On-Screen Display) menu on the monitor screen so that users can adjust this camera for optimal setting with great convenience.

Privacy Image Masking

For the privacy protection in the open area observation, some particular area can be masked for privacy purposes. Users can easily setup the masking areas of the desired zones. 24 Privacy Zone available.

* Specifications & Features are subject to change without prior notice.

KT&C America, Inc.: (East)
777 Terrace Ave. Suite 402, Hasbrouck Heights, NJ 07604
T: 201-393-0118 F: 201-393-0116 E: sales-america@ktnccamerica.com

KT&C USA, Inc.: (West)
3240 Wilshire Blvd. #501, Los Angeles, CA 90010
T: 213-381-0061 / F: 213-381-0061 E: sales-usa@ktnccusa.com

For design help, accessories or pricing, please contact:
sales@avsupply or call: 1-858-565-1101

AUDIOVIDEO SUPPLY
1-800-284-2288 sales@avsupply.com
www.avsupply.com

Part No.: KPC-HLD40

WDR (Wide Dynamic Range)

To get detailed information from dark and bright combination Image without any saturation, the WDR Technology is required. It combines bright areas with high shutter speed exposure and dark areas with low shutter speed exposure into one composite image



Digital Noise Reduction

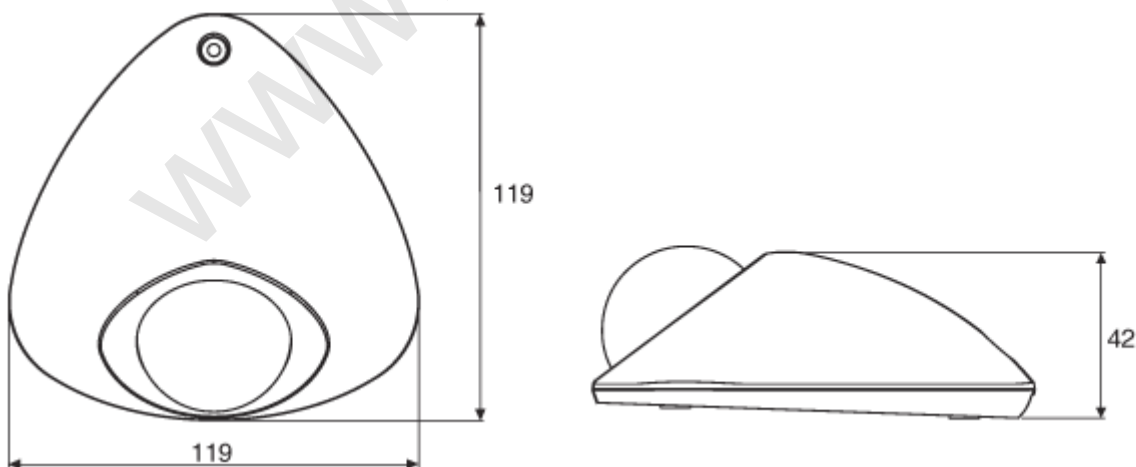
The amount of low luminance noise is remarkably reduced and signal-to-noise ratio (S/N) as well as horizontal resolution is improved, resulting in a clear and sharp image display even in dark condition.



HDcctv provides superior surveillance environment compared to conventional VGA camera.



General Feature Diagram



(Unit: mm)

* Specifications & Features are subject to change without prior notice.

KT&C America, Inc.: (East)
777 Terrace Ave. Suite 402, Hasbrouck Heights, NJ 07604
T: 201-393-0118 F: 201-393-0116 E: sales-america@ktnccamerica.com

KT&C USA, Inc.: (West)
3240 Wilshire Blvd. #501, Los Angeles, CA 90010
T: 213-381-0061 / F: 213-381-0061 E: sales-usa@ktnccusa.com

For design help, accessories or pricing, please contact:
sales@avsupply or call: 1-858-565-1101

Distributed By: Audio Video Supply -- Tel: 1-800-284-2288 -- www.avsupply.com

Technical Specification

| Model | | KPC-HLD40 |
|-----------------------|-------------------------|---|
| Image Device | | 2.1 Mega Pixel, 1/3" Exmor SONY CMOS |
| Video Output Mode | | HD-SDI : 1080p@30fps, 1080p@25fps 720p@60fps, 720p@50fps TV Out : NTSC / PAL Selectable |
| Effective Pixels | | 1984(H) x 1105(V) |
| Unit cell size (um) | | 2.8(H) x 2.8(V) |
| S/N ratio | | More than 50 dB |
| Video Output | | HD-SDI / 1.0 Vp-p Composite (75Ω) |
| Min. Illumination | | 0.1 Lux |
| Lens | | 3.7mm Board Lens |
| Min. Exposure Time | | 1/60,000 sec |
| Shutter speed | | Auto / Manual Selectable |
| Function | On-Screen Display (OSD) | Built-in |
| | BLC | ON / OFF (Level adjustment, Area selection) |
| | Digital Zoom Ratio | 1x ~ 20x |
| | Digital Slow Shutter | OFF, x2, x3, x4 |
| | White Balance | AUTO / AUTOext / PUSH / MANUAL |
| | Privacy Masking | Zone 24 ea, On / Off |
| | WDR | ON / OFF (Level adjustable) |
| | AGC | 0 ~ 23 dB |
| | Flickerless | 60Hz / 50Hz Selectable |
| | 3DNR | OFF / LOW / MIDDLE / HIGH |
| Operating Temperature | | -40 °C ~ 50 °C (14 °F ~ 122 °F) |
| Storage Temperature | | -20 °C ~ 60 °C (-4 °F ~ 140 °F) |
| Humidity | | Operating : Less than 80% / Storage : Less than 95% |
| Power Consumption | | DC12V (±10%) Max. 200 mA |
| Weight & Dimension | | 200g / 119mm(W) x 42mm(H) x 119mm(D) |

* Specifications & Features are subject to change without prior notice.

Last Updated: 7/23/12

KT&C America, Inc.: (East)
777 Terrace Ave. Suite 402, Hasbrouck Heights, NJ 07604
T: 201-393-0118 F: 201-393-0116 E: sales-america@ktnccamerica.com

KT&C USA, Inc.: (West)
3240 Wilshire Blvd. #501, Los Angeles, CA 90010
T: 213-381-0061 / F: 213-381-0061 E: sales-usa@ktnccusa.com

For design help, accessories or pricing, please contact:
sales@avsupply or call: 1-858-565-1101