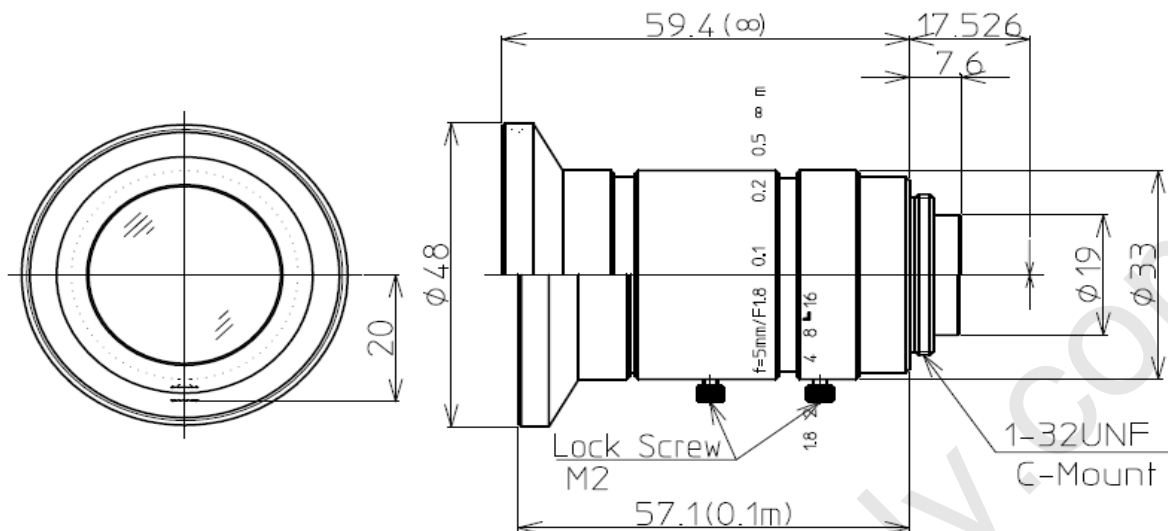


LM5JC10M



2/3" 1.8/5mm C		1/2"	1/3"	
FOCAL LENGTH	f=5mm			
MAX. DIAMETER (RATIO)	F=1:1.8~16			
ELEMENT	8 ELEMENTS 9 GROUPS			
PICTURE SIZE	6.6x8.8mm	4.8x6.4	3.6x4.8	
ANGLE	VER. ANGLE	66.5°	51.1°	39.5
	HOR. ANGLE	82.2°	64.9°	51.1°
	DIA. ANGLE	95.4°	76.8°	61.6°
DISTORTION (TV)	-0.33%			
SHOOTING RANGE AT	VER.	147.0mm	106.8mm	80.0mm
	HOR.	197.0mm	142.5mm	106.8mm
	DIA.	249.7mm	178.6mm	133.5mm
MINIMUM FOCUS DISTANCE	0.1m			
FLANGE BACK	17.526mm in air			
BACK FOCUS	10.3mm in air			
FILTER SCREW SIZE	M46x0.75			
FRONT/REAR EFFECTIVE DIA.	FRONT ϕ 27.5mm		REAR ϕ 14.3mm	
MOUNT	C-MOUNT			
EXIT PUPIL	338.7			
TEMPERATURE RANGE	-10~+50° C			
STORAGE TEMPERATURE RANGE	-20~+60° C			
RESOLUTION CENTER/CORNER	CENTER 200#/mm		CORNER 160#/mm	
LENS COATING	WIDE BAND MULTI COATING			
WEIGHT	120g			

Distributed By: Audio Video Supply -- Tel: 1-800-284-2288 -- www.avsupply.com

For design help, accessories or pricing, please contact:
sales@avsupply or call: 1-858-565-1101

AUDIOVIDEO SUPPLY
1-800-284-2288 sales@avsupply.com
www.avsupply.com