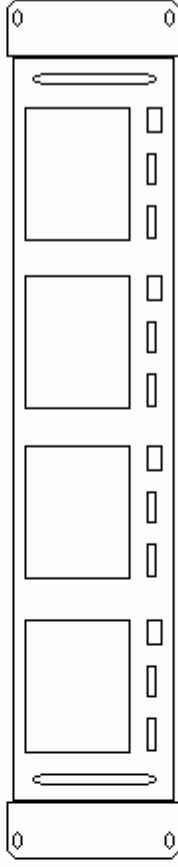
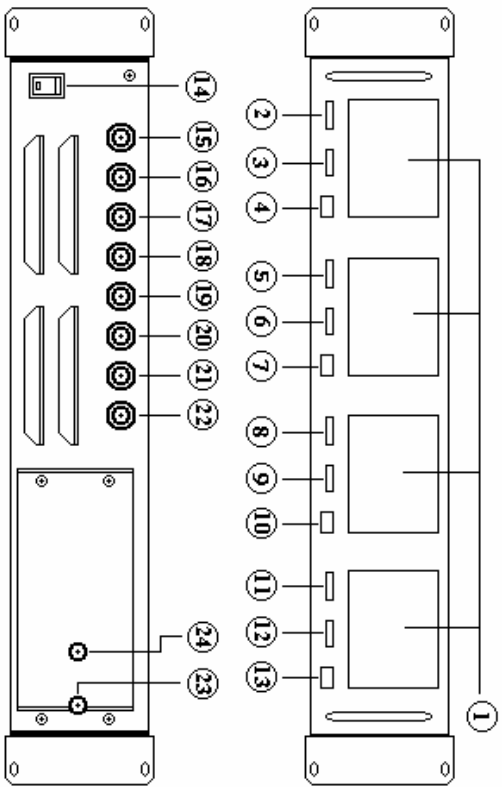


# MC 35RK-4

19 INCHES RACK MOUNT COLOR TFT-LCD  
MONITOR INTRUCTION MANUAL





- ① 3.5" TFT LCD DISPLAY
- ② MONITOR 1 COLOR CONTROL VR
- ③ MONITOR 1 BRIGHT CONTROL VR
- ④ MONITOR 1 POWER SWITCH
- ⑤ MONITOR 2 COLOR CONTROL VR
- ⑥ MONITOR 2 BRIGHT CONTROL VR
- ⑦ MONITOR 2 POWER SWITCH
- ⑧ MONITOR 3 COLOR CONTROL VR
- ⑨ MONITOR 3 BRIGHT CONTROL VR
- ⑩ MONITOR 3 POWER SWITCH
- ⑪ MONITOR 4 COLOR CONTROL VR
- ⑫ MONITOR 4 BRIGHT CONTROL VR
- ⑬ MONITOR 4 POWER SWITCH
- ⑭ MAIN POWER SWITCH
- ⑮ VIDEO 1 IN JACK
- ⑯ VIDEO 1 OUT JACK
- ⑰ VIDEO 2 IN JACK
- ⑱ VIDEO 2 OUT JACK
- ⑲ VIDEO 3 IN JACK
- ⑳ VIDEO 3 OUT JACK
- ㉑ VIDEO 4 IN JACK
- ㉒ VIDEO 4 OUT JACK
- ㉓ DC IN JACK
- ㉔ DC OUT JACK

**PRECAUTIONS**

1. INSTALL THE SET IN CONVENIENCE LOCATION AWAY FROM EXTREME HEAT & COLD AND MAKE SURE THE SET NOT INDIRECT SUNLIGHT.
2. AVOID DUST AND HIGH HUMIDITY.
3. AVOID STRONG DROPPING AND IMPACTING.
4. MAINTENANCE IS ONLY TO BE CARRIED OUT BY TECHNICIANS TRAINED BY THE MANUFACTURER.

**SPECIFICATIONS**

TYPE	COLOR LCD MONITOR
DISPLAY SCREEN	SIZE 3.5 INCHES (72 × 51 mm W×H) ELEMENT TFT LCD
BACK LIGHT	FORMAT 960×234(W×H) 224,640 DOTS COLD CATHODE FLUORESCENT LAMP
POWER SUPPLY	DC 12V
POWER CONSUMPTION	DC 12V 14W (MAX)
INPUT VIDEO LEVEL	1Vp-p 75 OHM
INPUT VIDEO SYSTEM	NTSC: FH:15734HZ PAL: FH:15625HZ
OUTPUT VIDEO LEVEL	FV:60HZ FV:50HZ
BRIGHTNESS	1Vp-p 75 OHM
VIEW ANGLE	250 CD/M2
ROTATE ANGLE	45/45/10/30 (L/R/T/B)
CONNECTION TERMINALS	UP / DOWN 24 DEGREES VIDEO IN JACK BNC × 4 VIDEO OUT JACK BNC × 4 DC 12V IN JACK DC 12V UOT JACK
OPERATION TEMPERATURE	+0°C ~ +50°C
STORAGE TEMPERATURE	-20°C ~ +60°C
DIMENSIONS	483 × 88 × 90mm (W×H×D)
WEIGHT	3Kg