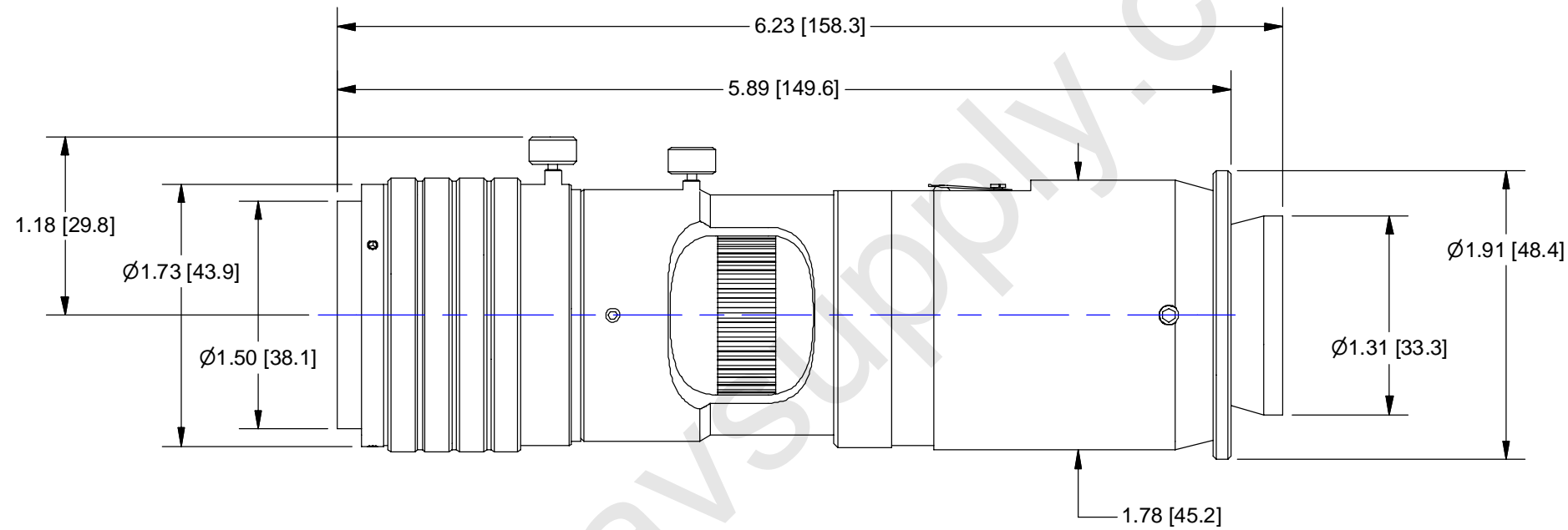


REVISION HISTORY				
REV	DESCRIPTION	DATE	DR BY	CH BY
A	RELEASE	03/30/06	REP	--



OUTLINE

SCALE:	1:1
WEIGHT:	1.0lbm
DR:	R. PODLENA
CH:	
PROJECT #:	
DATE DR:	3/29/2006
DO NOT SCALE DRAWING	

NAVITAR
ROCHESTER, NEW YORK

12X ZOOM w/12mm FF & DETENT

AUDIOVIDEO SUPPLY

1-800-284-2288 sales@avsupply.com
www.avsupply.com

For design help, accessories or pricing, please contact:
sales@avsupply or call: 1-858-565-1101

Distributed By: Audio Video Supply -- Tel: 1-800-284-2288 -- www.avsupply.com