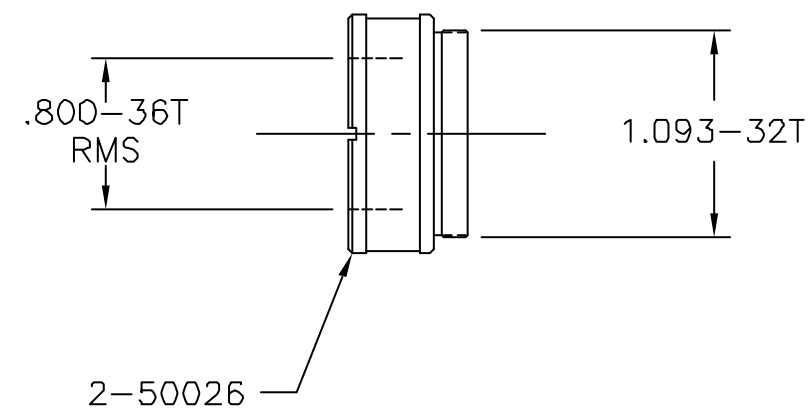
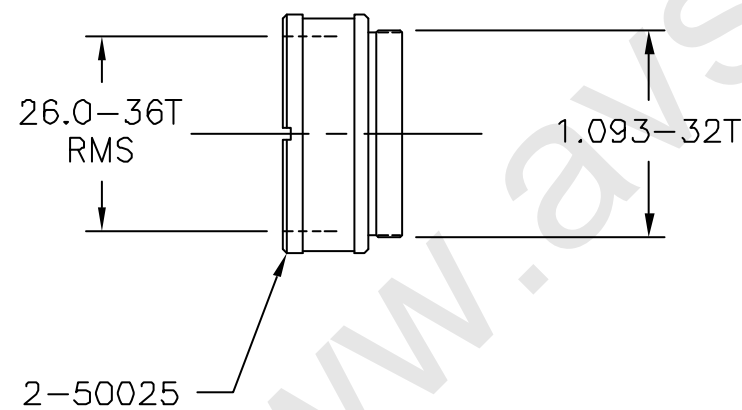
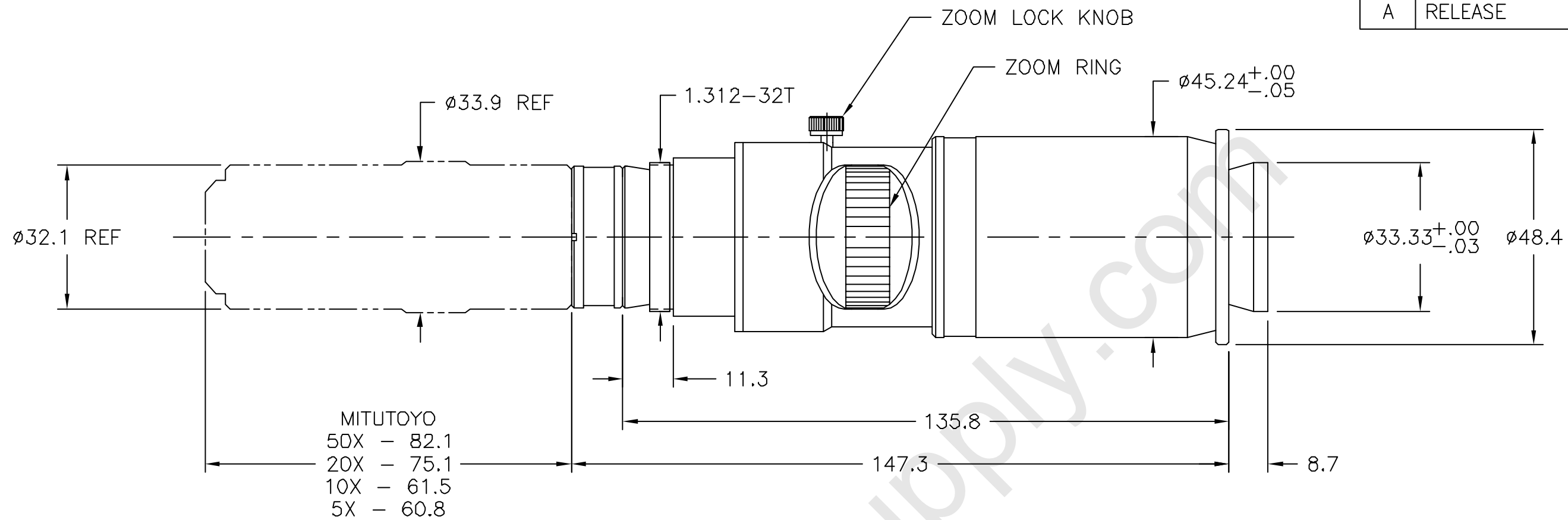


REV	CHANGE RECORD AND DATE	CH
A	RELEASE 5/25/98	SSC



1-50502 OL

NEXT ASSY.

USED ON

MATERIAL	UNLESS OTHERWISE SPECIFIED DIMENSIONS ARE IN MM AND INCLUDE CHEMICALLY APPLIED OR PLATED FINISHES		P/N Suffix Definition -1 Conversion Coating -2 Painting -3 Marking -R Rework	
	TOLERANCES AS FOLLOWS DEC. .XX ±.10 DEC. .X ±.20 ANGLES ±30' CONCENTRICITY .08 TIR BREAK ALL SHARP EDGES .15 MIN. .25 MAX. MAX. SURF. ROUGHNESS √.80			
FINISH	CHAMFER ALL THREADS 30° TO ROOT DIAM.	DR. SSC	CH. PB	
		DATE DR. 9/25/98	DO NOT SCALE DRAWING	

AUDIOVIDEO SUPPLY
1-800-284-2288 sales@avsupply.com
www.avsupply.com

For design help, accessories or pricing, please contact:
sales@avsupply or call: 1-858-565-1101