

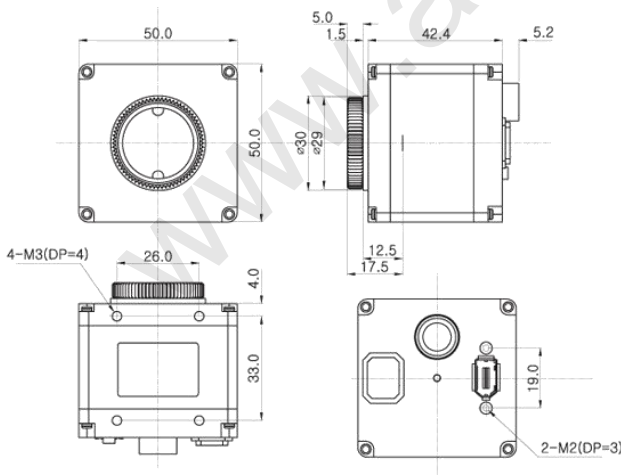
# NILE 5000 Series



## Overview

The NILE SERIES are Digital Area Scan CCD Cameras with a FIREWIRE Interface, auto iris and an external Trigger for the most demanding industrial applications. Equipped with a Sony Progressive Area Scan CCD sensor, the NILE SERIES provides high image quality while 100% product testing ensures maximum stability and consistency.

## Dimension



<http://www.imi-tech.com>

For design help, accessories or pricing, please contact  
sales@avsupply or call: 1-858-565-1101

# Specifications

Model	IMx-5200FT	IMx-5145FT	IMx-5140FT	IMx-5120FT	IMx-5080FT	Imx-5040FT	
<b>Image Sensor</b>	1/1.8" Sony CCD	2/3" Sony CCD	1/2" Sony CCD	1/3" Sony CCD	1/3" Sony CCD	1/3" Sony CCD	
<b>Sensor Name</b>	ICX274 AL/AQ	ICX285 AL/AQ	ICX267 AL/AK	ICX445 AL/AQ	ICX204 AL/AK	ICX424 AL/AQ	
<b>Resolution</b>	<b>Megapixel</b>	2.0MP	1.4MP	1.4MP	1.2MP	0.78MP	0.3MP
	<b>HxV</b>	1600 x 1200	1388 x 1040(B/W) 1388 x 1036(color)	1388 x 1040(B/W) 1388 x 1036(color)	1288 x 964 (Mono) 1288 x 960 (Color)	1032 x 776 (Mono) 1028 x 772 (Color)	656 x 488 (Mono) 652 x 484 (Color)
<b>Pixel Size</b>	4.4µm x 4.4µm	6.45µm x 6.45µm	4.65µm x 4.65µm	3.75µm x 3.75µm	4.65µm x 4.65µm	7.40µm x 7.40µm	
<b>Frame Rate</b>	16 fps	20 fps	20 fps	22 fps	36 fps	86 fps	
<b>Digital Interface</b>	IEEE 1394a (12pin) 1 Port						
<b>Transfer Rate</b>	400 Mbps						
<b>Scanning System</b>	Progressive Scan						
<b>Shutter Type</b>	Global Shutter						
<b>Data Path</b>	12bit, Raw RGB, YUV422, Mono 8, Mono 16						
<b>Binning</b>	2x2, 1x2 (Mono only) * Color/Mono is available for Imx-5200FT						
<b>ROI</b>	Partial Scan (Unit:4x4)						
<b>Trigger</b>	External or Software Trigger with various mode						
<b>I/O Port</b>	Ext. Power, Ext. Trigger, RS232, Strobe (12-pin)						
<b>Memory Save/Load</b>	16 Channels (0:factory, 1~4:feature, 5~15:mode/feature)						
<b>SIO(RS-232)</b>	IIDC Ver.1.31 : Pass through or IMI-Tech Command						
<b>Gain Control</b>	0 ~ 18 dB (Manual or Auto)						
<b>Shutter Speed</b>	Manual or Auto / Range : 1 µsec ~ 3600 sec						
<b>Control Functions</b>	Brightness, Sharpness, Gamma, Auto-gain, Auto-Exposure, Auto-Shutter, Pan/Tilt, User defined AE, Hue, Saturation *Auto White Balance, Auto IRIS						
<b>Lens Mount</b>	C/CS Mount						
<b>Operating Temp.</b>	-5°C ~ 45°C						
<b>Storage Temp.</b>	-30°C ~ 60°C						
<b>Supply Voltage</b>	DC 8V ~ DC 30V						
<b>Dimension</b>	50(W)x50(H)x42.4(D)mm						

Note : Specification may be subject to change without notice.



**imi tech**

(431-767) #616, Mega Valley, 799, Gwanyang 2-dong,  
Dongan-gu, Anyang-si, Gyeonggi-do, Korea  
TEL : +82-31-423-9801(rep), FAX : +82-31-423-9803,

<http://www.imi-tech.com>

For design help, accessories or pricing, please contact:  
sales@avsupply or call: 1-858-565-1101