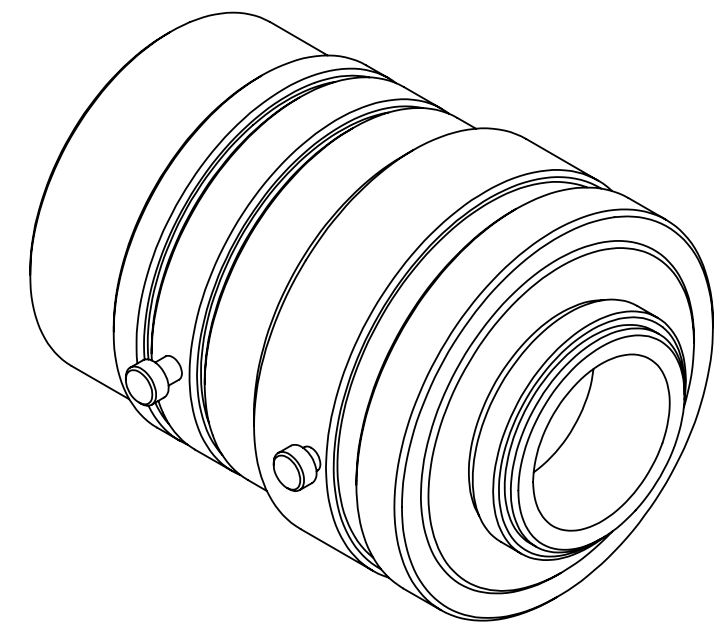


1-32 UN - 2A
FOR C - MOUNT
CAMERA



OUTLINE

Lens Specifications - NMV - 12M1			
Specifications	Value	1/2"	1/3"
Focal Length	f = 12.5mm		
Maximum diameter (Ratio)	F = 1.4:1 ~ 16 ~ Close		
Picture Size	12.8 x 9.6mm	8 x 8 x 6.6mm	6.4 x 4.8 mm
Angle - Vertical	42.5 deg.	29.5 deg.	21.6 deg.
Horizontal	55.6deg.	39.1 deg.	28.7deg.
Diagonal	67.7 deg.	48.3deg	35.7 deg.
Distortion (TV)	-1.58%	-1.0%	-0.6%
Minimum Focus Distance	0.3m		
Flange Back	17.526mm in air		
Back Focus	12.6mm in air		
Filter Screw Size	M35.5 x 0.5		
Effective Diameter - Front	28.1mm dia.		
- Rear	17.5mm dia.		
Mount	C-Mount		
Exit Pupil	-45.9mm dia.		
Temperature Range	- 10 ~ + 45 deg. C		
Strong Temperature Range	- 40 ~ + 60 deg. C		

UNLESS OTHERWISE SPECIFIED DIMENSIONS ARE IN INCHES AND INCLUDE CHEMICALLY APPLIED OR PLATED FINISHES		THE CONTENTS OF THIS DOCUMENT ARE PROPRIETARY TO NAVITAR, ITS USE IS AUTHORIZED ONLY FOR RESPONDING TO REQUEST FOR QUOTATION OR PERFORMANCE OF WORK FOR NAVITAR	
SCALE:	1.5:1	0.0 inch 1.0	
WEIGHT:	See Table	0.0 mm 25.0	
DR:	BE	DO NOT SCALE DRAWING	
CH:			
PROJECT #:	E2338	SIZE B	
DATE DR:	7/13/2007		



LENS 12.0mm FL 1.0" f/1.4

AUDIOVIDEO SUPPLY
1-800-284-2288 sales@avsupply.com
www.avsupply.com