

Product Features

- Synchronized USB powered LED flash for consistent high quality images in any environment
- One cable for power, video and flash
- 5.0 megapixel progressive scan sensor for 2592 x 1944 still images
- Separate formats supported for streaming video and still image capture
- Both Compressed (MJPEG) and Raw video outputs supported
- USB 2.0 bus provides power, camera and flash control
- UVC compliant
- Convenient manual dial allows customized flash intensity
- Full SDK available for integration into customer applications
- TWAIN compatible

Technical Specifications

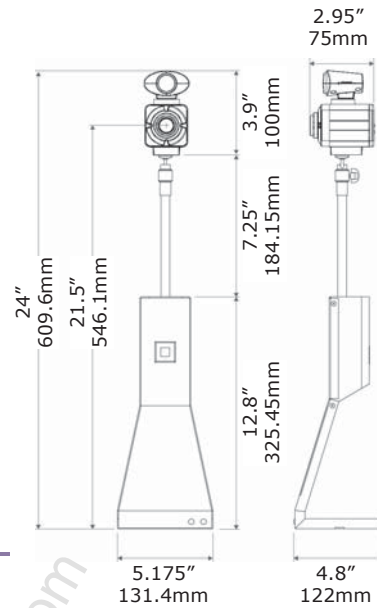
Electrical	24C708AF-SYS
Image Sensor Size	1/4"
Pixel Size	1.4µm x 1.4µm
Viewer Display	2592 x 1944 through 320 x 240
Compressing	MJPEG
Sensitivity	600mv/lux-sec
Dynamic Range	68dB
Signal to Noise Ratio	36dB
Shutter Mode	Electronic rolling shutter
Field of View (H x V)	40° x 30°
Video Output	USB 2.0
Power Supply	5VDC via USB 2.0 bus
Power Consumption	≤0.5mA

UVC Controls

Still Capture	Selectable
Flash	Selectable via Videology viewer or SDK
Exposure	Auto/ Manual
Focus	Push to focus via UVC trigger - not continuous Presets via SDK
White Balance	Auto/ Manual
Brightness	Selectable
Contrast	Selectable
Hue	Selectable
Saturation	Selectable
Sharpness	Selectable
Gamma	Selectable
Gain	Selectable
Backlight Compensation	On or Off

Mechanical

Dimensions W x H x D	131.4mm x 609.6mm x 122mm (5.175" x 24" x 4.8")
Weight	1.587kg (3.5lb)
Included Diopter	5x Diopter
Included Cables	60C1138 - 2.5mm stereo (6" plug to plug) 60C1147 - USB 2.0 A to mini B cable (10ft)



Included:
60C1138 2.5mm stereo (6" long)
60C1147 USB 2.0 A to mini B cable (10ft. long)
Fixed 5x diopter

Software

	<ul style="list-style-type: none"> • TWAIN • Videology viewer with activated features • DirectX/ DirectShow compliant • SDK
--	---

Recommended System Requirements

Hardware	Requires USB 2.0 UVC compliant ports
Software	Windows 7, 8, 10 32 bit and 64 bit
	Windows Vista 32 bit and 64 bit
	Windows XP Service pack 2+, DirectX 9.0c or above
	Linux 2.6.26+ potential
	Mac OS 10.4.3 potential

Environmental

Operating Temperature	-15°C - 55°C (5°F-131°F)
Storage Temperature	-25°C - 70° (-13°F - 158°F)
Operating Humidity	20% - 93% RH (non condensing)
Storage Humidity	Up to 98% RH (non condensing)

Ordering Information

24C708AF-SYS	5x diopter, flash
24C708AF-SYS-L2X	2x diopter, flash