

KEY FEATURES

- Fully rotatable asymmetrical horn for use in any cabinet position
- Externally switchable biamped or passive operation

General Product Description

The QRx-115/75 is a two-way, full-range loudspeaker system that incorporates a 15-inch woofer and a 3-inch voice coil compression driver on an asymmetrical 75-degree x 50-degree fully rotatable constant-directivity horn. In factory-delivered position the horn provides a 15-degree up/35-degree down vertical coverage pattern. The five-sided cabinet design allows this main PA system cabinet to easily conform to duties as a floor monitor or to be tucked tightly against a ceiling for low-profile applications. The fully rotatable horn means regardless of cabinet position, pattern control is fully user-determined.

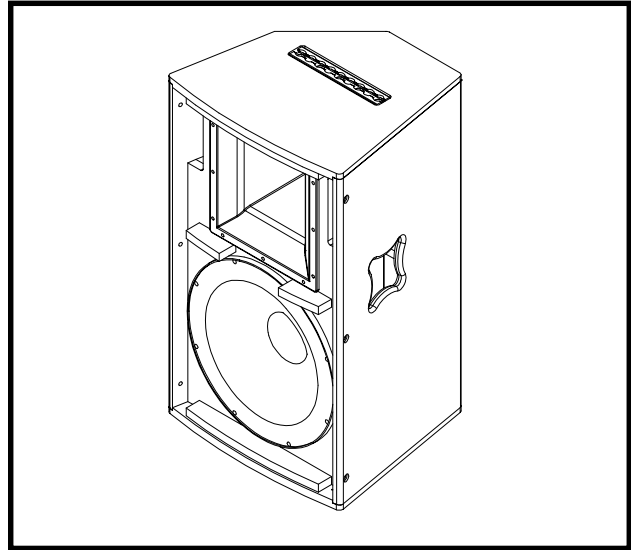
The QRx-115/75 is a good solution for small-to-medium size rooms as a main PA, providing moderate levels with good bass response in music or speech reproduction for DJs or live bands. The asymmetrical horn can allow a single box to more adequately direct the high frequencies as needed, as well as streamline multi-cabinet arrays extending horizontal coverage while minimizing overlapping and allowing tighter packs between the cabinets.

Architects' and Engineers' Specifications

The two-way, full-range loudspeaker system shall incorporate one 15-inch transducer with a cast aluminum basket as the LF component and one 3-inch diameter voice coil/diaphragm compression driver as the HF component. The compression driver shall be mounted on a 75-degree x 50-degree asymmetrical constant directivity horn with a factory-delivered positioning of 15-degrees up/35-degrees down/50-degrees horizontal configuration. The horn shall be constructed of a material and design so as to be capable, structurally, of supporting the HF driver without any internal braces or suspension allowing a full 360-degree rotation of the horn. The enclosure shall be vented and tuned for optimum low-frequency extension. An internal passive filter network shall be included providing crossover filters or

QRx-115/75

Loudspeaker System



component bandpasses and nominal system voicing. The input panel shall incorporate two switches allowing external configuration between biamped or passive operation. Input connections shall be accommodated with two paralleled NL4 female Speakon® connectors.

Loudspeaker system frequency response shall be no less than 60 Hz to 15 kHz (-3 dB) measured on axis. The loudspeaker shall produce a sound pressure level (SPL) of 98 dB on axis at 1 meter with a power input of 1 watt and shall be capable of sustaining a full power, long term average output of 124 dB on axis at 1 meter. The full-range system with passive network engaged shall handle 400 watts of amplified power long term in compliance with AES-EIA standards and have a nominal impedance of 8 ohms.

Speaker Description:

Part Number	300995-001
LF Section & Components ..	15-inch woofer in vented enclosure
HF Section & Components	DH7 compression driver with 3-inch titanium diaphragm on asymmetric 75 x 50 horn
System Configuration	Two-way, full-range
Powering Configuration	Switchable passive or biamp
Recommended Active High-Pass Frequency (12 dB/octave minimum)	45 Hz
Recommended Active Crossover Frequency (24 dB/octave typical)	1500 Hz
Passive Crossover Frequency	1800 Hz

Cabinet Type (shape)	Modified trapezoid
Enclosure Materials	13-ply birch plywood
Finish	Black acrylic textured paint
Connectors	Two Neutrik® NL4
Suspension Hardware	L-track top and bottom, Single-stud plate on back for pull up
Grille	Powder-coated perforated 16-GA steel
Options:	
	WHI - white textured paint
	UN - unfinished
Accessories	SST-1 single stud rigging fitting (3 included)

The loudspeaker enclosure shall be constructed of 13-ply void-free cross-grain-laminated Birch plywood. It shall be finished in black or white acrylic paint or available unfinished. It shall have five sides with the fifth side angle as such to provide stable and safe placement of the cabinet on its side for floor monitor applications. Handles shall be recessed within the sides of the enclosure and of such design to allow safe handling from any direction. There shall be a 1-3/8 diameter pole mounting socket located on the bottom of the

cabinet. The top and bottom of the enclosure shall have L-track rigging installed and the rear shall have a pull-up point. Three single studed anca fittings rated for overhead use shall be included with each loudspeaker system. Fittings shall include a tethered safety pin to ensure proper installation.

The two-way full-range loudspeaker system shall be the Electro-Voice model QRx-115/75.

Speaker Characteristics:

Frequency Response

- 3 dB 60 Hz - 15 kHz
 - 10 dB 45 Hz - 16 kHz

Axial Sensitivity

SPL, 1 watt @ 1 m, Passive 98 dB
 SPL, 1 watt @ 1 m, Biamp (LF/HF) 98/110 dB

Impedance

Passive 8 ohms
 Biamp (LF/HF) 8/8 ohms

Power Handling

Passive

Long-Term EIA 400 watts
 Short-term peak 1600 watts

Biamp - LF

Long-Term EIA 400 watts
 Short-term peak 1600 watts

Calculated Maximum SPL Output

Long-Term 124 dB
 Peak 130 dB

Nominal Coverage Angle

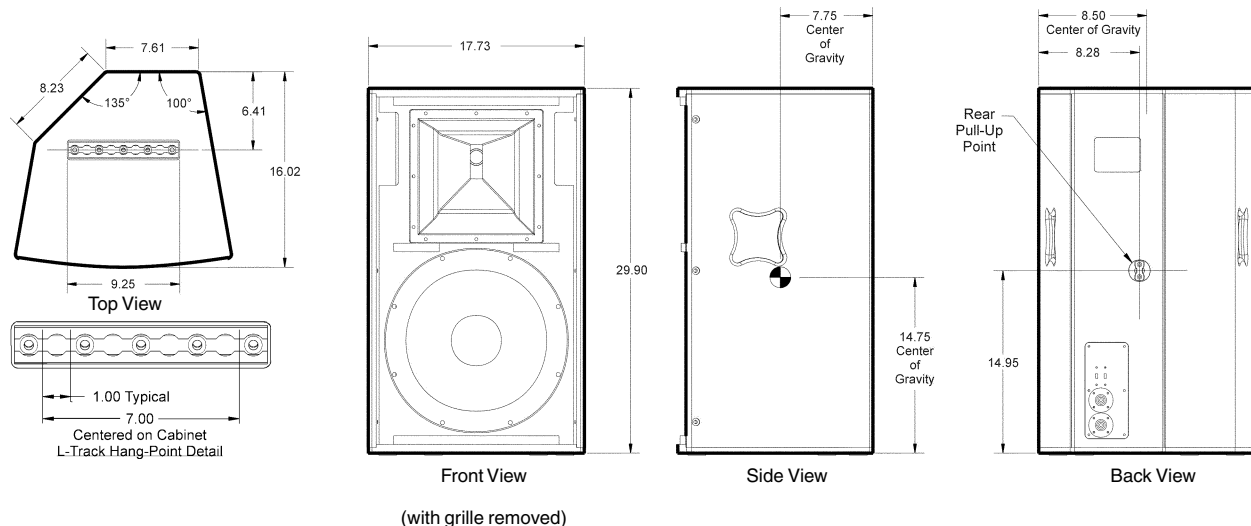
Horizontal (-6 dB) 75 Deg.
 Vertical (-6 dB) +15/-35 Deg.

Dimensions

Height 29.90 in. (759.5 mm)
 Width at front 17.72 in. (450.2 mm)
 Width at back 7.59 in. (192.7 mm)
 Depth 16.02 in. (407.0 mm)
 Trapezoid Angle 10 Deg. per side (254.0 mm)

Weights

Net Weight 71 lb (32 kg)
 Shipping Weight 78 lb (35 kg)



Dimensions

USA 12000 Portland Ave South, Burnsville, MN 55337, Phone: 952-884-4051, Fax: 952-884-0043
 Canada 705 Progress Avenue, Unit 46, Scarborough, Ontario, Canada, M1H2X1, Phone: 416-431-4975, 800-881-1685, Fax: 416-431-4588
 Germany Hirschberger Ring 45, D94315, Straubing, Germany, Phone: +49 9421-706 0, Fax: +49 9421-706 287
 France Parc de Courcerin, Allee Lech Walesa, Lognes, 77185 Marne la Vallee, France, Phone: +33 1 6480-0090, Fax: +33 1 6480-4538
 Australia Unit 23, Block C, Slough Business Park, Slough Avenue, Silverwater, N.S.W. 2128, Australia, Phone: +61 2-9648-3455, Fax: +61 2-9648-5585
 Hong Kong Unit E & F, 21/F, Luk Hop Industrial Bldg., 8 Luk Hop St., San PO Kong, Kowloon, Hong Kong, Phone: +852-2351-3628, Fax: +852-2351-3329
 Japan 5-3-8 Funabashi, Setagaya-ku, Tokyo, 156-0055 Japan, Phone: +81 3-5316-5020, Fax: +81 3-5316-5031
 Singapore 3015A Ubi Rd 1, 05-10, Kampong Ubi Industrial Estate, Singapore 408705, Phone: +65-746-8760, Fax: +65-746-1206
 Mexico Av. Parque Chapultepec #66-201, Col. El Parque Edo. De Mexico 53390, Mexico, Phone: +52 5358-5434, Fax: +52 5358-5588
 UK 4, The Willows Centre, Willow Lane, Mitcham, Surrey CR4 4NX, UK, Phone: +44 181 640 9600, Fax: +44 181 646 7084
 Africa, Mid-East Hirschberger Ring 45, D94315, Straubing, Germany, Phone: +49 9421-706 0, Fax: 49 9421-706 287
 Latin America 12000 Portland Ave South, Burnsville, MN 55337, Phone: 952-887-7491, Fax: 952-887-9212

www.electrovoice.com • Telex Communications, Inc. • www.telex.com

© Telex Communications, Inc. 7/2001
 Part Number 38109-986 Rev A



Electro-Voice®

U.S.A. and Canada only.

For customer orders, contact the Customer Service department at
 800/392-3497 Fax: 800/955-6831

For warranty repair or service information, contact the Service
 Repair department at 800/685-2606

For technical assistance, contact Technical Support at 866/78AUDIO

Please refer to the Engineering Data Sheet for warranty information.
 Specifications subject to change without notice.