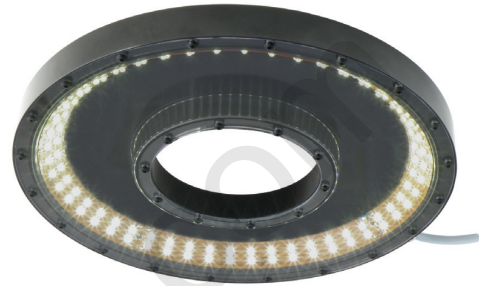


RL152

Large Format, Strobed LED Ring Light



- 4i** Designed for multiple camera applications
- 4i** Provides illumination suitable for label and lid inspections
- 4i** IP67 Compliant Design

Ordering Information

Standard Product:
Shipped Next Day

RL152-WHIC5

Configured for use with the
Pulsar 320 Strobe Controller

Standard Product Variation:
Shipped Within Two Weeks

Spectral wavelength

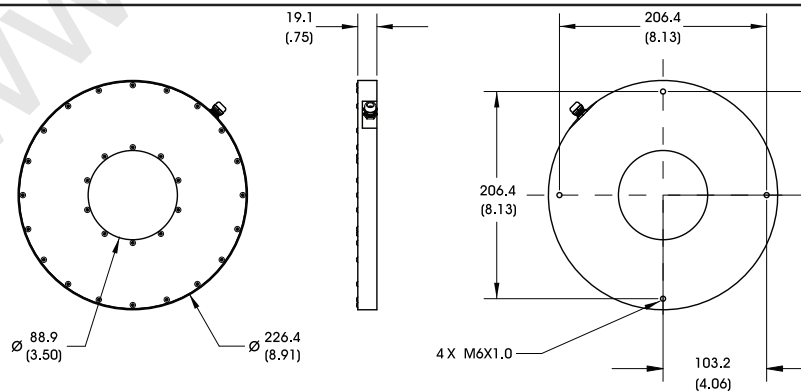
Optional power compatibility

RL152 - **XXX** **XX**

(blue) 470 C3
(green) 530 C5
(red) 625
(white) WHI

C3 = Pulsar 710 Connector
C5 = Pulsar 320 Connector

Dimensional Information



[Click for Installation Models & Drawings](#)

Cable Length: 1.5 Meter (59")

Standard Product Information

Weight: 1.02 kg (2.25 lb.)
 Finish: Black Anodized
 Operating Temperature: 0-60° C
 Meets Specifications: CE, RoHS
 LED products provide a lifespan significantly greater than other vision