

I. Specifications

A. Electronic Specifications / Mechanical Specifications / Environmental Conditions

Product		STC-HUE64		
Electronic Specifications	Imager	1/4" interline high-resolution high-sensitive EIA CCD: ICX278AL (Sony)		
	DSP	R2A45201BG (Renesas)		
	Effective Picture Elements	768 (H) x 494 (V)		
	Chip Size	4.43 (H) x 3.69 (V) mm		
	Cell Size	4.75 (H) x 5.55 (V) μm		
	Scanning System	2:1 interlace		
	Vertical Frequency	59.94 Hz		
	Horizontal Frequency	15.734 kHz		
	Horizontal Resolution	570 TV lines		
	S/N Ratio (standard deviation)	More than 50 dB (Gain 0)		
	Minimum Scene Illumination	0.19 Lux at F1.2 (Gain max., 1/60 seconds shutter speed) 0.008 Lux at F1.2 (Gain max., 1/1 seconds shutter speed)		
	Sync. System	Internal / External (Automatically switches)		
	Video Output	1.0 Vp-p 75 Ohm, Y of the Y/C RS-170 standards compatible. Both composite and Y of the Y/C.		
	Electronic Iris	1/1 to 1/10,000 seconds		
	Gain	AGC ON		
	Gamma	0.45		
	Mirror Image	Normal / horizontal / vertical / horizontal and vertical (180 deg. Rotated image) mirror image		
	Power Supply	Input Voltage	DC 4.5 to 5.5 V	
		Consumption	Less than 1.0 W	
	Communication	UART via CN2 (SM04B-SRSS-TB) connector		
Character Generator	Control via RS232C communication			
Mechanical Specifications	Dimensions	Head Module	10 (H) x 38.7 (W) x 3.65 (D) mm	
		CCU	38 (H) x 75 (W) x 5 (D) mm	
	Optical Filter	None		
	Lens Mount	None		
	Interface Connector	SM10B-SRSS-TB for Video and power, SM04B-SRSS-TB for communication		
Weight	Approximately 16 g			
Environmental Conditions	Temperature and Humidity	Operational	Temperature: -5 to 45 °C, Relative Humidity: 0 to 85% (No condensation)	
		Storage	Temperature: -30 to 65°C, Relative Humidity: 0 to 90% (No condensation)	
	RoHS	RoHS compliant		

B. Connector Specifications



1. The connector for the power and the video (CN1)

The connector type:
Pin Assignment:

SM10B-SRSS-TB (Right angle connector, JST)

No.	Signal Types
1	DC +5V IN
2	GND
3	VIDEO OUT
4	GND
5	HD IN
6	VD IN
7	Y OUT
8	C OUT
9	NC
10	GND

2. The connector for the UART communication (CN2)

The connector type:
Pin Assignment:

SM04B-SRSS-TB (Right angle connector, JST)

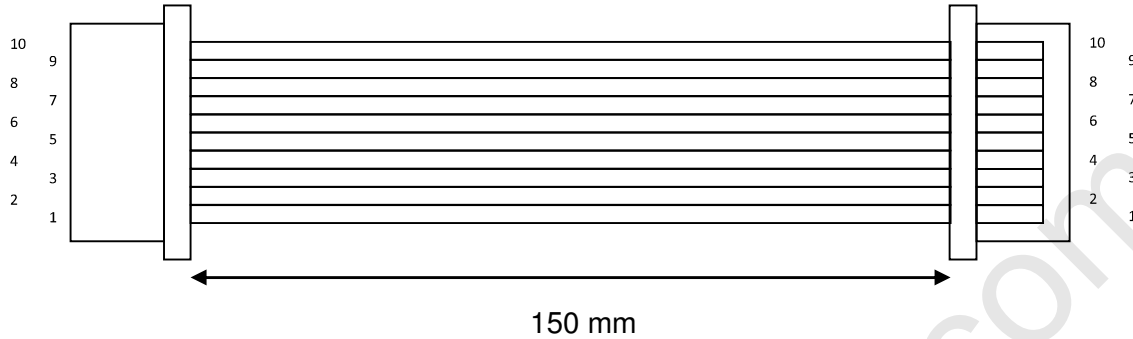
No.	Signal Types	Voltage
1	DC +3.3V	3.3V
2	TxD	High: 2.5 to 3.3V Low: 0.0 to 0.8V
3	RxD	High: 2.8 to 3.3V Low: 0.0 to 0.8V
4	GND	

3. The connector for the FPC cable of the CCD unit (CN3)

The connector type:

14FHJ-SM1-TB (JST)

C. Cable Specifications



Connector 1
SHR-10V-S-B (JST)

No.	Signal Types	Wire Color
1	DC +5V IN	Brown
2	GND	Red
3	VIDEO OUT	Orange
4	GND	Yellow
5	HD IN	Green
6	VD IN	Blue
7	Y OUT	Purple
8	C OUT	Gray
9	NC	White
10	GND	Black

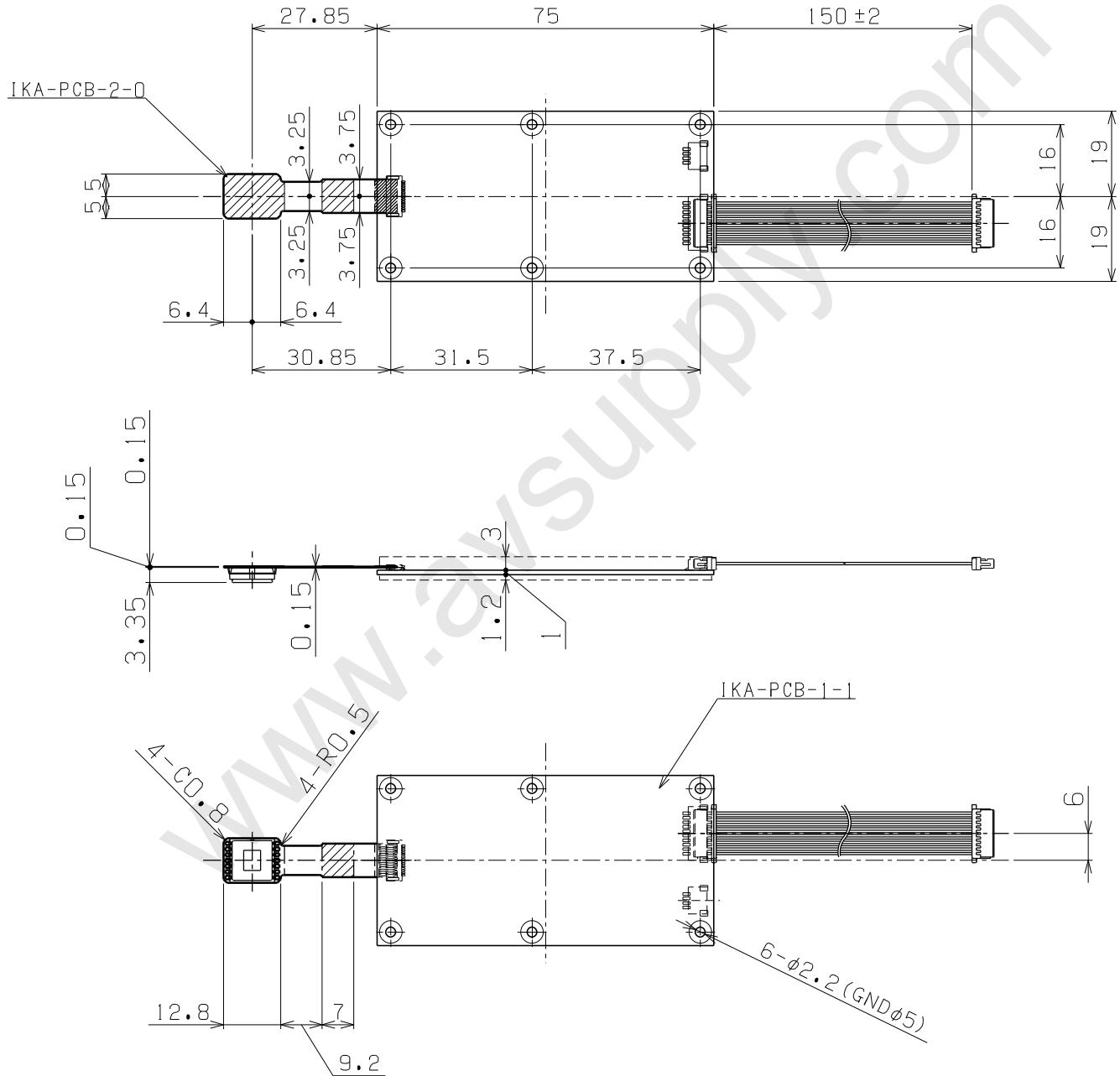
Connector 2
SHR-10V-S-B (JST)

No.	Signal Types	Wire Color
1	DC +5V IN	Brown
2	GND	Red
3	VIDEO OUT	Orange
4	GND	Yellow
5	HD IN	Green
6	VD IN	Blue
7	Y OUT	Purple
8	C OUT	Gray
9	NC	White
10	GND	Black

This cable is connected to the CN1 connector.

III. Dimensions

CCU absolute maximum thickness including all components and connectors: Less than 5.3mm



Unit: mm

Revisions

Rev	Date	Changes	Notes
1.0	2008/5/13	New Document	
	2008/6/19	English Document created	
1.1	2009/7/6	Update Added the minimum scene illumination at 1/1 sec. shutter speed	

www.avsupply.com

Distributed By: Audio Video Supply -- Tel: 1-800-284-2288 -- www.avsupply.com