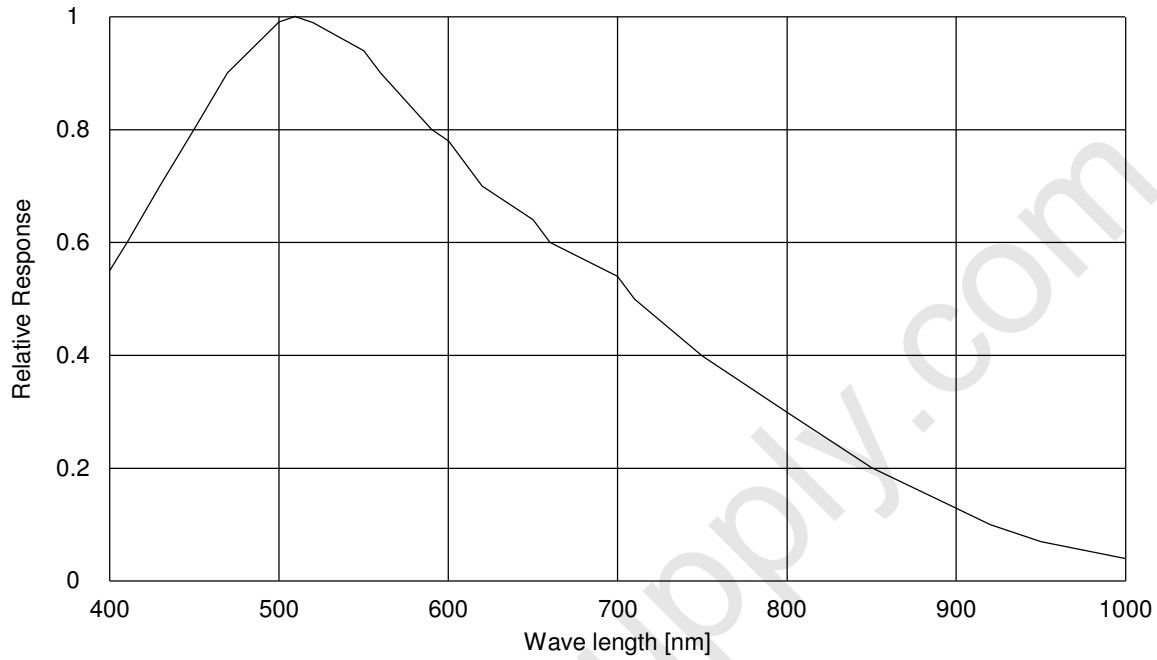


I. Electronic Specifications / Mechanical Specifications / Environmental Specifications

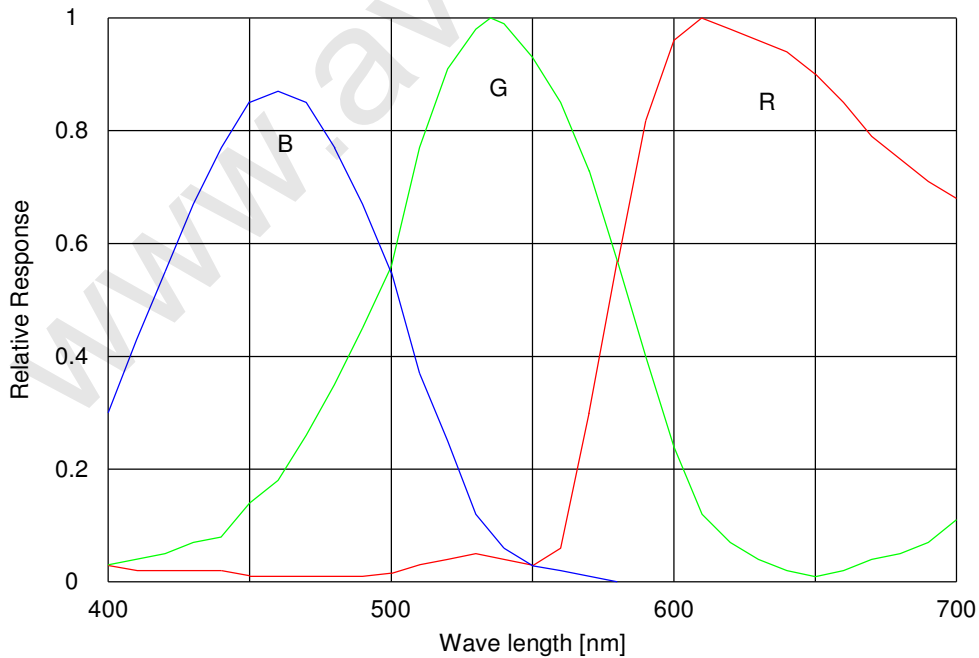
Product		STC-POCLC152A	STC-POCL152A	
Electronic Specifications	Imager	1/2" Interline SXGA Color Progressive CCD: ICX205AK	1/2" Interline SXGA Monochrome Progressive CCD: ICX205AL	
	Total Picture Elements	1434 (H) x 1050 (V)		
	Active Picture Elements	SXGA: 1360 (H) x 1040 (V)		
	Chip Size	7.6 (H) x 6.2 (V) mm		
	Cell Size	4.65 (H) x 4.65 (V) μm		
	Scanning System	Progressive		
	Scanning Method	Full Scanning, Partial Full Scanning, ½ Partial Scanning, ¼ Partial Scanning, Variable Partial Scanning	Full Scanning, Partial Full Scanning, ½ Partial Scanning, ¼ Partial Scanning, Variable Partial Scanning, Binning, Binning Partial Scanning, Binning ½ Partial Scanning, Binning ¼ Partial Scanning, Binning Variable Partial Scanning	
	Vertical Frequency (Frame Rate)	15.28 (15fps) / 19.3 (19fps) Hz		
	Horizontal Frequency	15.996 (15fps) / 20.57 (19fps) kHz		
	Pixel Frequency	28.6363 (15fps) / 36.8181 (19fps) MHz		
	S/N Ratio (Standard Deviation)	@8bit output	<= 3 Digit (Gain 0 dB)	
		@10bit output	<= 10 Digit (Gain 0 dB)	
	Minimum Scene Illumination	0.13 Lux at F1.2	0.11 Lux at F1.2	
	Sync. System	Internal / External		
	Video Output	Digital 8 or 10 bit Camera Link (Base Configuration)		
	Tap	1 Tap		
	Shutter Speed	OFF, 1/3 to 1/93,000 sec. (Variable at every H and clock) (15fps) OFF, 1/5 to 1/120,000 sec. (Variable at every H and clock) (19fps)		
	Gain	0 to 27 dB		
	Gamma	1.0		
	Power Supply	Input Voltage	DC 12V± 10% via Camera Link connector	
Consumption		Less than 2.5W		
Trigger Mode	Edge Preset Trigger (V-reset, Non-reset); Pulse Width Trigger (V-reset, Non-reset)			
Communication	RS232 via Camera Link connector			
Mechanical Specifications	Dimensions	28 (W) x 28 (H) x 29.5 (D) mm (Not including lens mount and the connector) 28 (W) x 28 (H) x 40 (D) mm (Not including the connector)		
	Optical Filter	No IR cut filter		
	Optical Center Accuracy	Positional accuracy in H and V directions: +/- 0.31 mm Rotational accuracy of H and V: +/- 2.1 deg.		
	Materials	Case	Front, base, and rear: Aluminum die cast (ADC 12); Cover: Steel sheet covered with zinc	
		Tripod	Polycarbonate ABS	
	Lens Mount	C mount		
	Interface Connector	HR 10A-7R-6PB (Hirose) or equivalent		
	Tripod	Tripod can be attached to 4 plates (4 screws on the bottom plate, 3 screws on the other 3 plates)		
Weight	Approximately 52g (Camera: 43g, Tripod: 9g)			
Environmental Specifications	Temperature and Humidity	Operational	Temperature: -5 to 45°C; Relative Humidity: 0 to 85% (No condensation)	
		Storage	Temperature: -30 to 65°C; Relative Humidity: 0 to 90% (No condensation)	
	Vibration	20Hz to 200Hz to 20Hz (5min./cycle); Acceleration 10G, 3 directions 30 min. each		
	Shock	Acceleration 70G, half amplitude 6ms, 3 directions 3 times each		
	Standard Compliancy	EMS: EN61000-6-2, EMI: EN55011 (Class B)		
	RoHS	RoHS Compliant		

Spectral Sensitivity Characteristics

STC-POCL152A



STC-POCLC152A



II. Connector Specifications

A. Camera Link Connector: SDR (3M) equivalent

CAUTION: This product is a PoCL type. Therefore, please use this camera with the cable and the frame grabber board for the PoCL model.

B. IO Connector: HR10A-7R-6PB (Hirose) or equivalent. This connector is the input and output signals. Trigger input and sync input/output signals can be assigned through the camera setting communication.

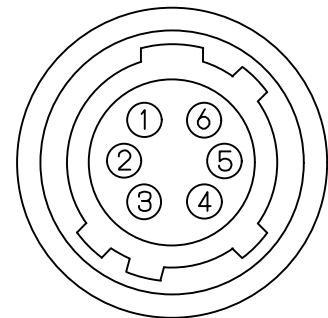
III. Pin Assignment

A. Camera Link Connector

Pin No.	Signal Name	Pin No.	Signal Name
1	+12V	14	GND
2	X0-	15	X0+
3	X1-	16	X1+
4	X2-	17	X2+
5	Xclk-	18	Xclk+
6	X3-	19	X3+
7	SerTC+	20	SerTC-
8	SerTFG-	21	SerTFG+
9	CC1-(TRG)	22	CC1+(TRG)
10	CC2+	23	CC2-
11	CC3-	24	CC3+
12	CC4+	25	CC4-
13	GND	26	+12V

B. Interface Connector

Pin No.	Signal Name	IN / OUT	Voltage		
				Low Voltage	High Voltage
1	GND	IN	0V		
2	I/O - 1	IN / OUT	IN	0 to +0.5V	+2.5 to +5.0V
			OUT	0V	+3.3V
3	I/O - 2	IN / OUT	IN	0 to +0.5V	+2.5 to +5.0V
			OUT	0V	+3.3V
4	I/O - 3	IN / OUT	IN	0 to +0.5V	+2.5 to +5.0V
			OUT	0V	+3.3V
5	TRG OUT	OUT	OUT	0V	+3.3V
6	N.C.				



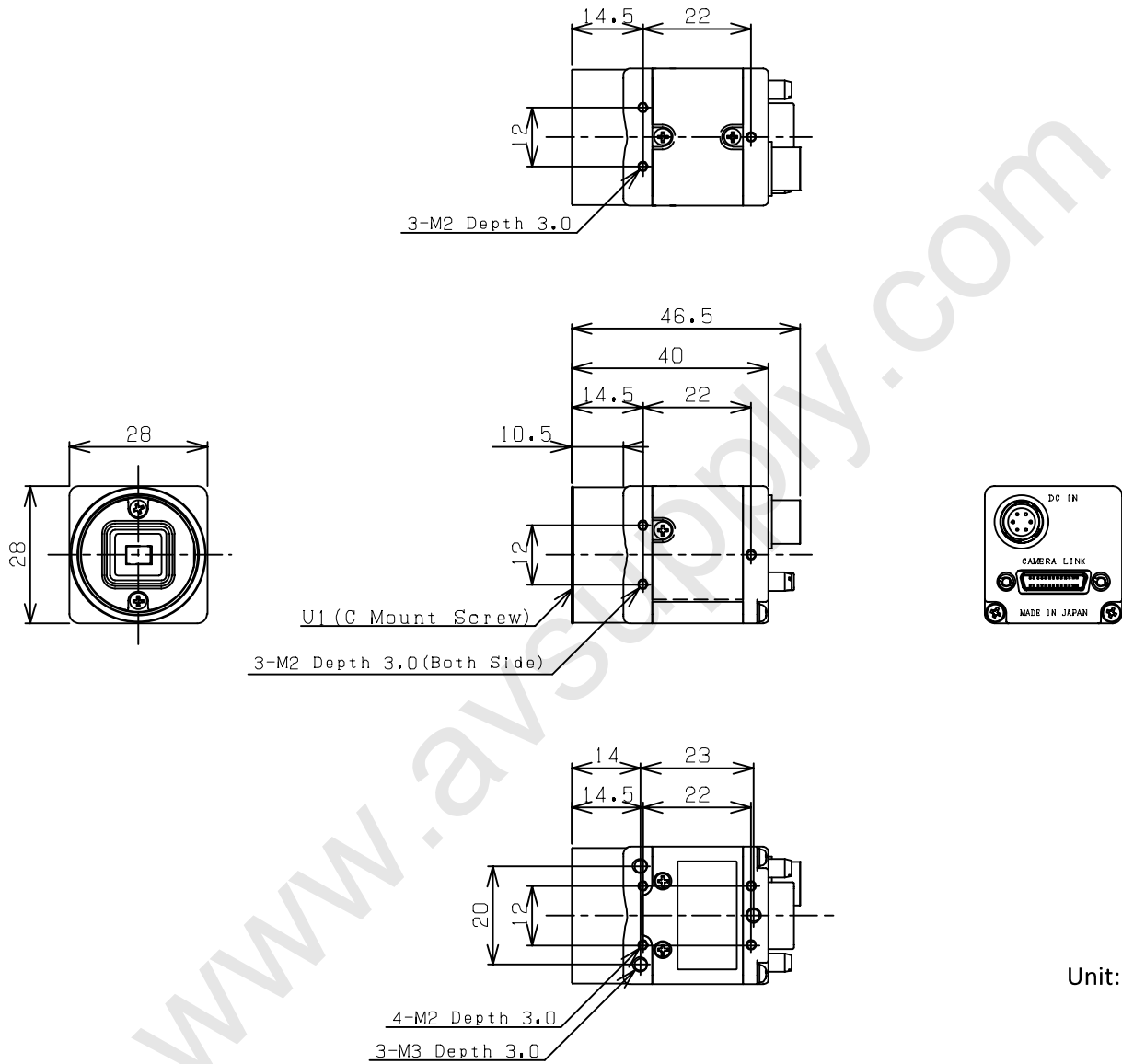
Note 1: Trigger input signal can be assigned either on Camera Link connector (CC1) or on the No. 2 pin of the IO connector through the camera setting communication.

Note 2: The external sync signals (HD and VD) can be assigned on the following connectors through the camera settings communication.

- Camera Link connector (CC2: HD signal input, CC3: VD signal input) or
- IO connector (No.4: HD signal input / output, No3: VD signal input / output)

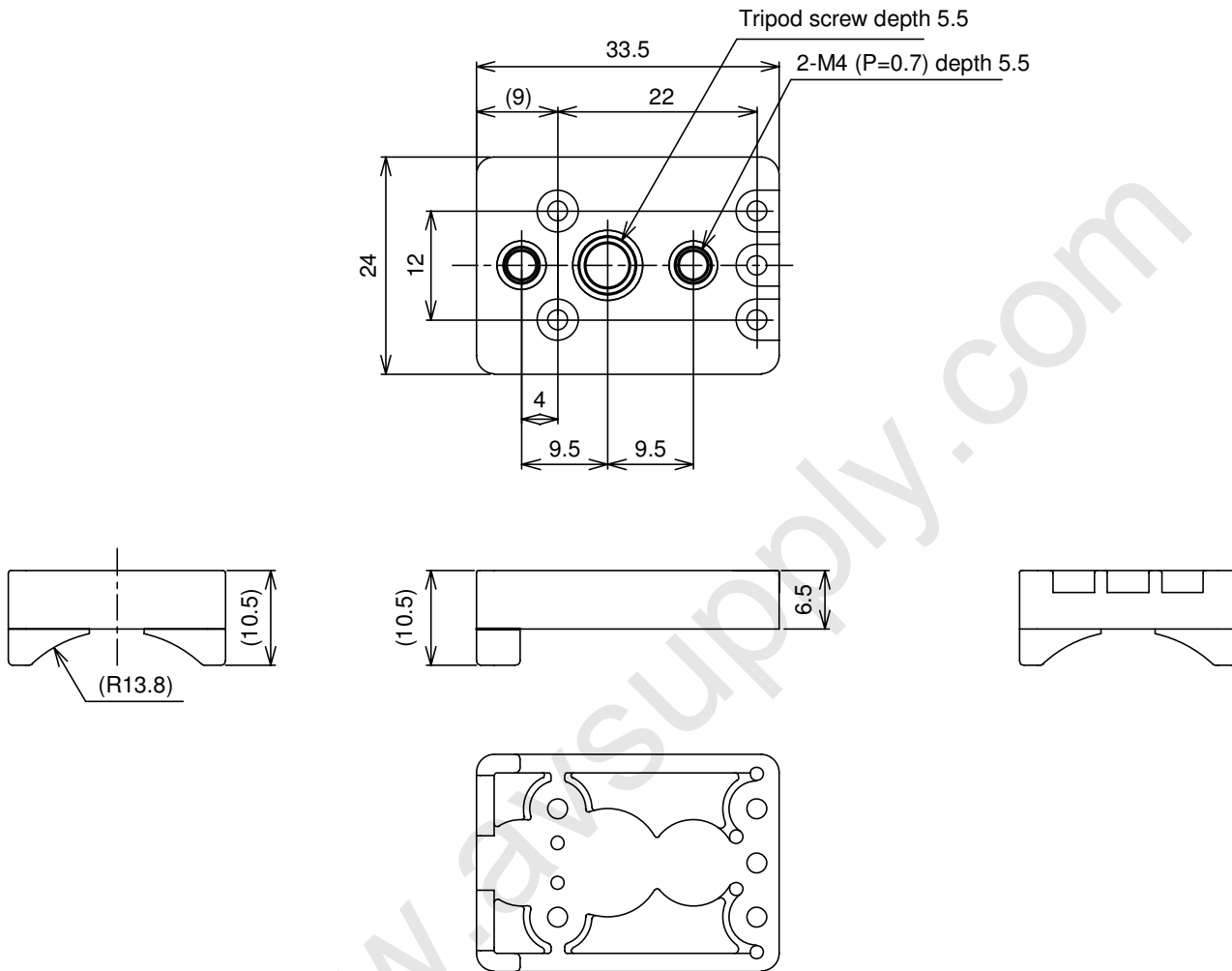
IV. Dimensions

A. Camera Dimensions



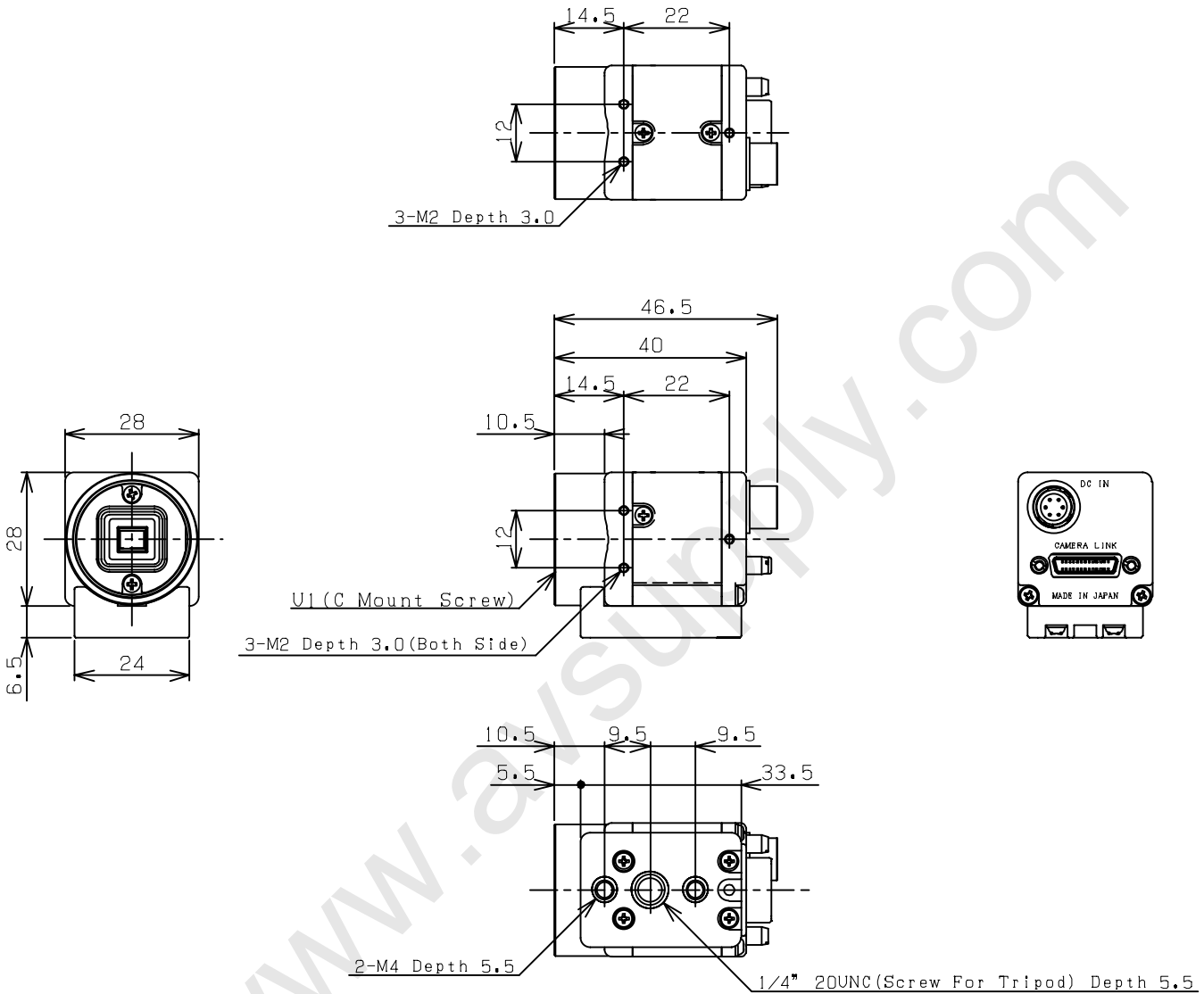
Unit: mm

B. Tripod Dimensions



Unit: mm

C. Camera Dimensions with Tripod



Unit: MM

Revisions

Rev	Date	Changes	Notes
1.0	2008/12/09	STJ Created Document	
	2009/3/12	Created English version	
1.1	2009/3/17	Update Electronic Spec (Changed Shutter Speed)	Rev 1.1 through 1.4 were submitted to STA by STJ on the 2 nd week of Sept 2009.
1.2	2009/5/8	Update Pin Assignment (Add the connector drawing)	
1.3	2009/5/8	Update Electronic Spec (Changed minimum illumination)	
1.4	2009/8/18	Update Electronic Spec (Changed S/N ratio) Mechanical Spec (Changed description of the dimensions)	
1.5	2009/12/28	Update Electronic Spec (Delete Effective Picture Element) Connector Spec (Changed "Interface Connector" to IO Connector)	Rev was submitted to STA by STJ on 7/14/2010.
1.6	2011/7/12	Update Add the spectral sensitivity characteristics	

www.avsupply.com

Distributed By: Audio Video Supply -- Tel: 1-800-284-2288 -- www.avsupply.com

Sensor Technologies America, Inc.

1345 Valwood Pkwy, Suite 320
Carrollton, Texas 75006-6891
TEL (972) 481-9223 FAX (972) 481-9209
URL <http://www.sentechamerica.com/>

Sensor Technology Co., Ltd.

7F, Harada Center Building
9-17, Naka cho 4chrome
Atsugi-city, Kanagawa
243-0018 Japan
TEL +81-46-295-7061 FAX +81-46-295-7066
URL <http://www.sentech.co.jp/>

Taiwan Sensor Technology, Inc.

3F-6, No. 9, Aiguo W, Rd., Jhong Jheng District
Taipei City 100, Taiwan, R.O.C.
TEL 886-2-2383-2331 FAX 886-2-2370-8775
EMAIL: sentech0501@yahoo.com.tw