

TG0412FCS-3

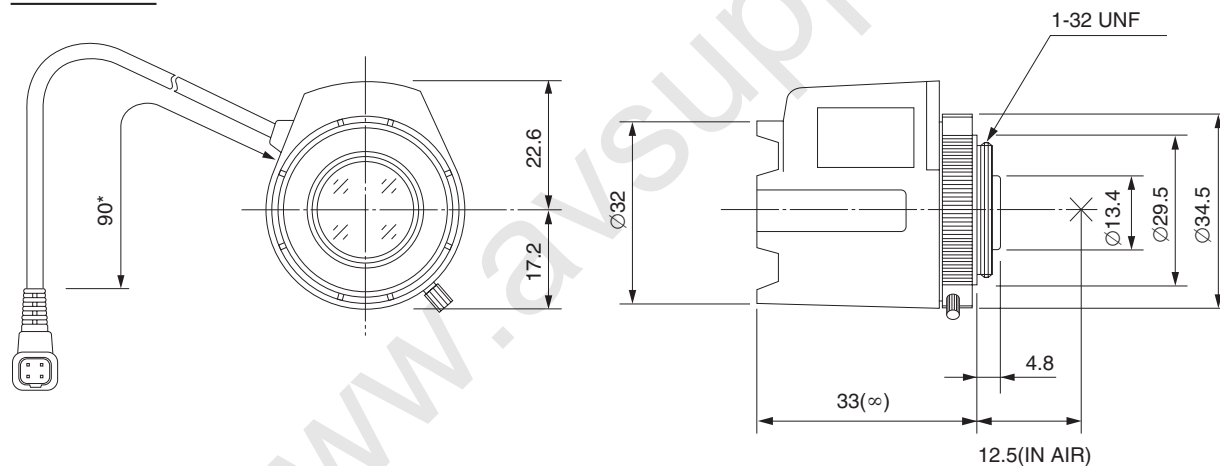
4mm F1.2
for 1/3 type Cameras, Fixed-focal Auto Iris DC Drive
CS-Mount

with Focus, w/o Amplifier

| | | | | | |
|----------------------------|---------------------|--------------|-------------------------|-----------------------|---------|
| Model No. | TG0412FCS-3 | | Effective Lens Aperture | Front | Ø15.5mm |
| Focal Length | 4mm | | | Rear | Ø8.5mm |
| Max. Aperture Ratio | 1:1.2 | | Back Focal Length | 7.7mm | |
| Max. Image Format | 4.8mm x 3.6mm(Ø6mm) | | Flange Back Length | 12.5mm | |
| Operation Range | Iris | F1.2 - F360C | Mount | CS-Mount | |
| | Focus | 0.2m - Inf. | Filter Size | — | |
| Control | Iris | DC Auto Iris | Dimensions | Ø32mm x 39.8mm x 33mm | |
| | Focus | Manual | Weight | 38g | |
| Object Dimension at M.O.D. | 24.9cm x 18.3cm | | | | |
| Angle of View | D | 1/3 type | 76.9° | 1/4 type | 60.4° |
| | H | | 63.9° | | 49.1° |
| | V | | 49.1° | | 37.3° |
| Coil | Drive | 190Ω | | | |
| | Control | 855Ω | | | |
| Operating Temperature | -20°C - +50°C | | | | |

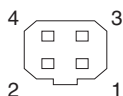
M.O.D : Minimum Object Distance

Dimensions



* : 310mm cable is available

Wiring Diagram



Pin No.

| | | |
|---|--------|-------------|
| 1 | BROWN | Control (-) |
| 2 | RED | Control (+) |
| 3 | YELLOW | Drive (+) |
| 4 | ORANGE | Drive (-) |