

# TG0412FCS-3

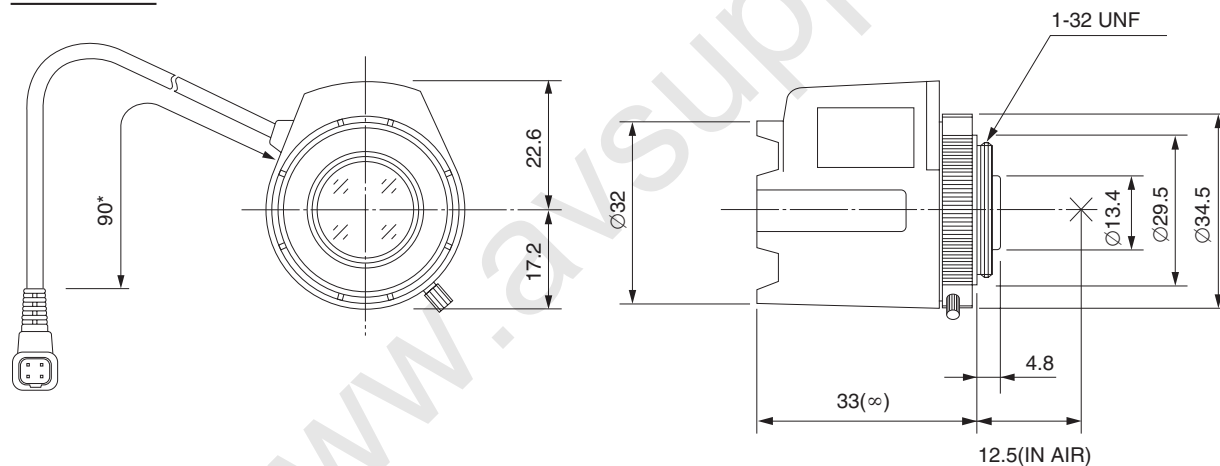
**4mm F1.2**  
**for 1/3 type Cameras, Fixed-focal Auto Iris DC Drive**  
**CS-Mount**

with Focus, w/o Amplifier

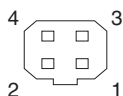
Model No.	TG0412FCS-3		Effective Lens Aperture	Front	Ø15.5mm	
Focal Length	4mm			Rear	Ø8.5mm	
Max. Aperture Ratio	1:1.2		Back Focal Length	7.7mm		
Max. Image Format	4.8mm x 3.6mm(Ø6mm)		Flange Back Length	12.5mm		
Operation Range	Iris	F1.2 - F360C	Mount	CS-Mount		
	Focus	0.2m - Inf.	Filter Size	—		
Control	Iris	DC Auto Iris	Dimensions	Ø32mm x 39.8mm x 33mm		
	Focus	Manual	Weight	38g		
Object Dimension at M.O.D.	24.9cm x 18.3cm					
Angle of View	D	1/3 type	76.9°	1/4 type	60.4°	
	H					63.9°
	V					49.1°
Coil	Drive	190Ω				
	Control	855Ω				
Operating Temperature	-20°C - +50°C					

M.O.D : Minimum Object Distance

## Dimensions



## Wiring Diagram



### Pin No.

1	BROWN	Control (-)
2	RED	Control (+)
3	YELLOW	Drive (+)
4	ORANGE	Drive (-)