

TVF3.2X0310IR-BCD



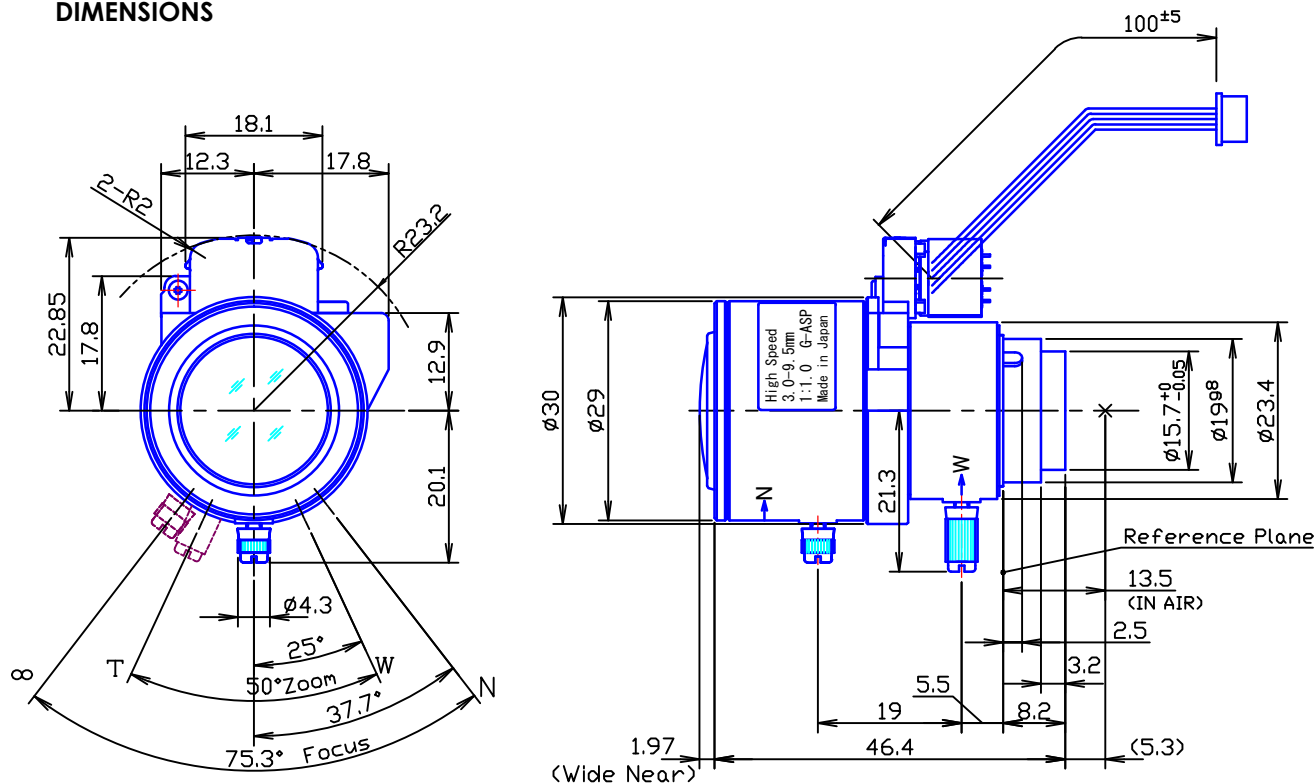
Type	AI VARI		Mount	ø19 Straight Mount
Focal Length	3.0~9.5mm		Back Focus	5.25~12.0mm
Fno.	F1.0		Flange Back	13.5mm
Designed Image Format	1/3"(4.8x3.6mm)		Exit Pupil	-397.2 ~ -25.5mm
Operation Range	Iris	F1.0-F360	Filter Size	-
	Focus	0.5m~ ∞	Aperture	Front ø18.0mm
	Zoom	3.0~9.5mm		Rear ø8.0mm
Control	Iris	DC Galvanometer	Dimention	ø29 x 46.4mm
	Focus	Manual		
	Zoom	Manual		
Object Size at MOD	Wide	700.5x1111.2mm	Weight	33g
	Tele	203.9x274.7mm		
Field of View	D	1/3" $\frac{123.6^{\circ} \sim 37.6^{\circ}}$	1/4" $\frac{88.2^{\circ} \sim 28.2^{\circ}}$	FM
	H	$\frac{95.0^{\circ} \sim 30.2^{\circ}}$	$\frac{69.0^{\circ} \sim 22.6^{\circ}}$	
	V	$\frac{69.0^{\circ} \sim 22.6^{\circ}}$	$\frac{50.8^{\circ} \sim 17.0^{\circ}}$	
Control	Iris		Focus	Zoom
Driving Coil/Supply Volt.	190Ω		-	-
Damping Coil/Current	465Ω		-	-
Response Time	-		-	-
Potentiometer	-		-	-
Light Measuring Method	-		-	-
Input Signal	-		-	-
Iris Accuracy	-		-	-
Sensitivity Adjustment	-		-	-
Operating Temperature	-10°C ~ +50°C		-	-

1/3"

FM

BCD

DIMENSIONS



Wiring Diagram

1) 4-pin Connector for Auto Iris
(Molex : 51021-0400 Single Socket)

Pin No.1	Yellow	Damping(+)	▶
2	Orange	Damping(-)	
3	Brown	Driving (+)	
4	Red	Driving (-)	