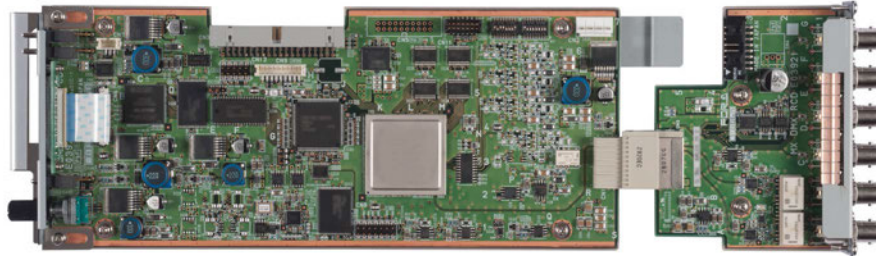
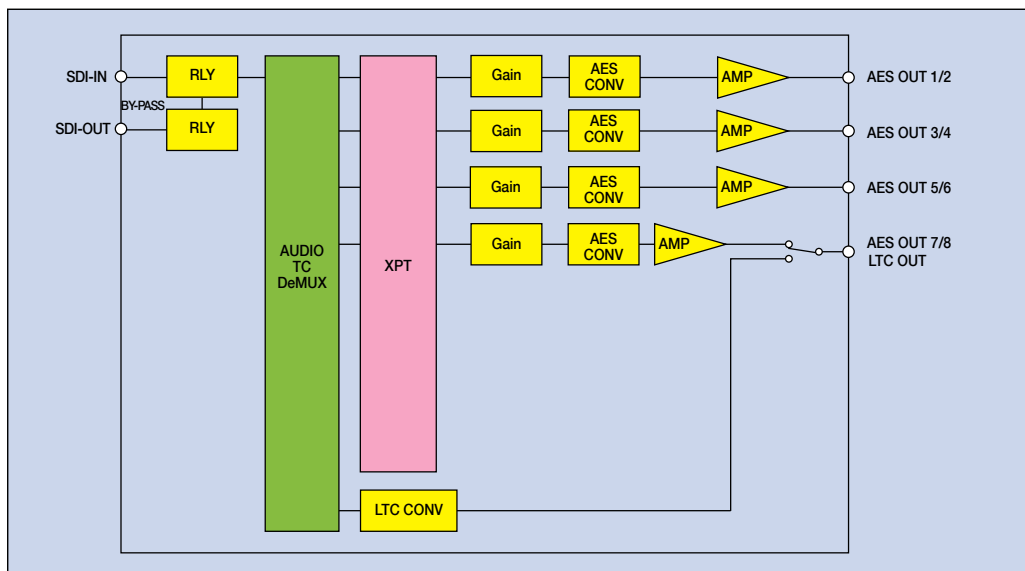


3G/HD/SD DIGITAL AUDIO DE-MULTIPLEXER UFM-30DEMUX



The UFM-30DEMUX is a module-type digital audio de-multiplexer designed to extract 8-channel AES/EBU signals (4 stereo pairs) from 3G-SDI, HD-SDI or SD-SDI signals. ANC time code can be output as LTC by switching an AES output to LTC output.

- De-multiplexes 4 pairs of AES/EBU signals (8 channels) from SDI signals
 - Supports 3G-SDI Level A/B
 - Sixteen channels of embedded audio can be assigned to 8 arbitrarily selected AES channels*
 - Supports asynchronous embedded audio de-multiplexing
 - Supports remapping and multiplexing of embedded audio onto SDI signals after de-multiplexing and remapping
 - Switching from AES OUT 7/8 to LTC OUT allows LTC output support. ANC time code can be output as LTC
 - Enables SDI signal input to bypass output when the power is turned off or By-pass mode is selected
 - UFM-3DMXAO: Analog audio output option. Equipped with connector for independent LTC time code output
- *With asynchronous audio sources, audio channels can be freely mapped on a per-group basis, not per-channel



UFM-30DEMUX Specifications

Video formats	3G-SDI: 1080/59.94p, 50p, 60p (Level A/B) HD-SDI: 1080/59.94i, 50i, 60i, 1080/30p, 29.97p, 25p, 24p, 23.98p, 24psF, 23.98psF, 720/59.94p, 50p, 60p, 24p, 23.98p, 1035/59.94i, 60i SD-SDI: 525/60, 625/50 Auto-switching formats	Audio Output	SDI Embedded 3G/HD-SDI: 16ch, Sampling Rate: 48 kHz, 16/20/24-bit synchronous/asynchronous (per 4ch) (asynchronous supports 32 kHz and 44.1 kHz) SD-SDI: 16ch, Sampling Rate: 48 kHz, 16/20-bit synchronous AES/EBU Unbalanced 75Ω BNC x 4 Sampling Rate: 32 kHz, 44.1 kHz, 48 kHz, 16/20/24-bit
SDI Input	3G-SDI: 3 Gbps, HD-SDI: 1.5 Gbps, SD-SDI: 270 Mbps 75Ω BNC x 1	Time Code Output	LTC 1.0 Vp-p BNC x 1
SDI Output	3G-SDI: 3 Gbps, HD-SDI: 1.5 Gbps, SD-SDI: 270 Mbps 75Ω BNC x 1	Video Delay (SDI IN-OUT)	1 or minimum delay (select on menu screen*) Minimum delay: less than 4 μs
Audio Inputs	SDI Embedded 3G/HD-SDI: 16ch, Sampling Rate: 48 kHz, 16/20/24-bit synchronous/asynchronous (per 4ch) (asynchronous supports 32 kHz and 44.1 kHz) SD-SDI: 16ch, Sampling Rate: 48 kHz, 16/20-bit synchronous	Audio Delay (SDI IN-Audio OUT)	Less than 1.8 ms
		Temperature/Humidity	0°C to 40°C / 30% to 85% (no condensation)
		Power/Consumption	+24 VDC Supply from UFM frame / 0.4 A
		Dimensions/Weight	Front: 106 (W) x 293.2 (D) mm Rear: 108.5 (W) x 93.3 (D) x 20 (H) mm / 0.5kg
		Required Slots	1 slot
		Accessories	Operation manual

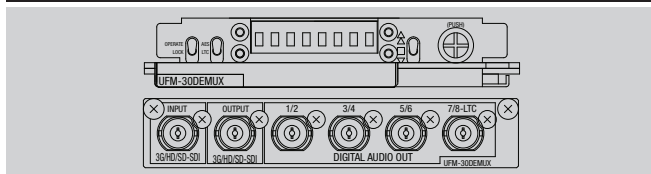
*Remapping SDI input embedded audio is not supported under the minimum delay mode

UFM-3DMXAO (Analog Audio Output Option) Specifications

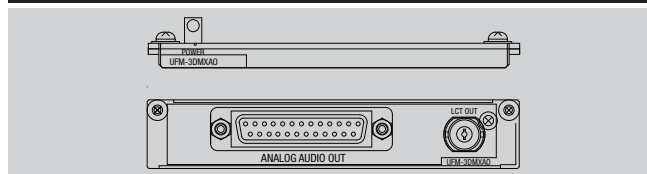
Outputs Connector	25-pin D-sub (female)	S/N Ratio	Above 80 dB (at 80 kHz to LPF, 1 kHz)
Outputs	Analog Audio 8ch (4 stereo pairs) balanced/unbalanced	Distortion Factor	Below 0.05 dB (at 1 kHz, +24 dB)
Reference Level	-18/-20 dBFS switchable	Crosstalk	Above 90 dB (at 1 kHz, +24 dB impedance)
Output level	-20 dB/-10 dB/-4 dB/0 dB/+4 dB/+8 dB/+10 dB switchable (+4 dBu: factory preset mode) Low impedance (below 100Ω: balanced below 50Ω: unbalanced)	Time Code Outputs	LTC 1.0 Vp-p Unbalanced BNC x 1
Variable Gain	-20 dB to +20 dB (0.1 dB step)	Temperature/Humidity	0°C to 40°C / 30% to 85% (no condensation)
Maximum Output Level	+24 dBu (balanced) +18 dBu (unbalanced)	Power/Consumption	+24 VDC Supply from UFM frame / 0.35 A
Sampling Frequency	48 kHz	Dimensions/Weight	Front: 106 (W) x 303 (D) mm Rear: 108.5 (W) x 66.1 (D) x 20 (H) mm / 0.5 kg
Quantization	24-bit	Required Slots	1 slot
Frequency Response	±0.5 dB (20 Hz to 50 Hz) (1 kHz reference) ±0.3 dB (50 Hz to 15 kHz) (1 kHz reference) ±0.5 dB (15 kHz to 20 kHz) (1 kHz reference)	Accessories	Operation manual

*With asynchronous audio sources, audio channels can be freely mapped on a per-group basis, not per-channel

UFM-30DEMUX External Dimensions (Front/Rear)



UFM-3DMXAO External Dimensions (Front/Rear)



UF-106B UFM Frame (6 Modules)

- Holds up to six UFM modules (boards)
- Capable of holding UF-106BPS redundant power supply (optional)
(Four modules maximum allowed with UF-106BPS installed)
- Supports hot swapping of power supply and installed modules
- Boards can be easily replaced from front without removing rear cables
- Alarm and status indications are displayed on front LED panel. Alarm indications can be output to external devices
- Includes loop-through connector as Genlock input. Genlock input signal can be distributed to all modules
- Control card is used for remote control interface (optional)



UF-112 UFM Frame (12 Modules)

- Holds up to twelve UFM modules (boards)
- Capable of holding UF-112PS redundant power supply (optional)
- Supports hot-swapping of power supply and installed modules
- Boards can be easily replaced from front without removing rear cables
- Alarm and status indications are displayed on front LED panel. Alarm indications can be output to external devices
- Includes loop-through connector as Genlock input. Genlock input signal can be distributed to all modules
- Control card is used for remote control interface (optional)



FOR-A COMPANY LIMITED

Head Office: 3-8-1 Ebisu, Shibuya-ku, Tokyo 150-0013, Japan

FOR-A Corporation of America: 11155 Knott Ave., Suite G&H, Cypress, CA 90630, U.S.A.

FOR-A Corporation of America East Coast Office: 2 Executive Drive, Suite 670, Fort Lee Executive Park, Fort Lee NJ 07024, U.S.A.

FOR-A Corporation of America Distribution & Service Center: 2400 N.E. Waldo Road, Gainesville, FL 32609, U.S.A.

FOR-A Corporation of America Miami Office: 5200 Blue Lagoon Drive, Suite 760, Miami, FL 33126, U.S.A.

FOR-A Corporation of Canada: 346A Queen Street West, Toronto, Ontario M5V 2A2, CANADA

FOR-A Europe S.r.l.: Via Volturmo, 37, 20861 Brugherio MB, Italy

FOR-A UK Limited: Trident Court, 1 Oakcroft Road, Chessington, KT9 1BD, UK

FOR-A Italia S.r.l.: Via Volturmo, 37, 20861, Brugherio MB, Italy

FOR-A Corporation of Korea: 1007, 57-5, Yangsan-ro, Yeongdeungpo-gu, Seoul 150-103, Korea

FOR-A China Limited: 708B Huateng Building, No. 302, 3 District, Jinsong, Chaoyang, Beijing 100021, China

FOR-A Middle East-Africa Office: Jebel Ali Free Zone, LOB-16, Office 619, P.O. Box 261914, Dubai, U.A.E.

URL: <http://www.for-a.com/>

Tel : +81 (0)3-3446-3936 Fax : +81 (0)3-3446-1470

Tel : +1-714-894-3311 Fax : +1-714-894-5399

Tel : +1-201-944-1120 Fax : +1-201-944-1132

Tel : +1-352-371-1505 Fax : +1-352-378-5320

Tel : +1-305-931-1700 Fax : +1-305-264-7890

Tel : +1-416-977-0343 Fax : +1-416-977-0657

Tel : +39-039-879-778 Fax : +39-039-878-140

Tel : +44 (0)20-3044-2935 Fax : +44(0)20-3044-2936

Tel : +39-039-881-086/103 Fax : +39-039-878-140

Tel : +82 (0)2-2637-0761 Fax : +82 (0)2-2637-0760

Tel : +86 (0)10-8721-6023 Fax : +86 (0)10-8721-6033

Tel : +971 4 887 6712 Fax : +971 4 887 6713

ISO 9001 and 14001 certified (Sakura R&D)

© 2013 FOR-A Company Ltd. FOR-A is a registered trademark of FOR-A Company Ltd. Design and specifications subject to change without notice. Printed in Japan. 1308LM01A