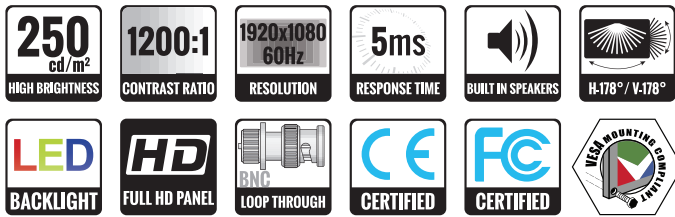


VZ-32LX ADVANTAGES

- 32" 1080p CCTV LED Monitor
- 3D Comb-filter, De-interlace, Built-in Speakers
- Digital & Analog Inputs - BNC Loop-through out, YPbPr, VGA, HDMI and DVI
- Image Retention Feature Prevents "Pixel Burn-In"
- PIP, PBP / Auto Source & Power Recovery
- 3-Year Warranty



MODEL #	VZ-32LX
---------	---------

VIDEO	
Screen Size	32"
Max. Resolution	1920 x 1080 @60Hz
Pixel Pitch	0.36375 mm x 0.36375 mm
Brightness	250cd/m ² (Typical)
Contrast Ratio	1200:1
Aspect Ratio	16 : 9
Viewing Angle (H/V)	178° / 178° (CR > 10)
Display Color	16.7 Million
Response Time	< 5ms
Video System	NTSC / PAL
Frequency (H)	30 ~ 80Khz
Frequency (V)	50 ~ 75Hz

INTERFACE	
VGA In (15Pin D-Sub)	1
AV (Composite) In / Out	5 / 2
Component (Y, Pb, Pr) In	1
DVI - In	1
HDMI In	2
YPbPr Sound L/R (RCA Type)	1 / 1
AV(Composite) Sound L/R (RCA Type)	1 / 1

AUDIO	
Built in speaker	5W X 2

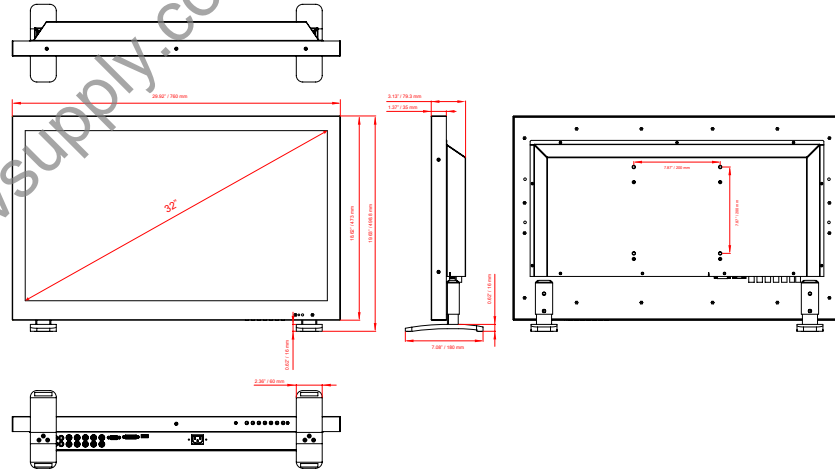
SPECIAL FEATURES	
Multi Display Function	PIP / PBP
Filter Type	3D Comb-filter / De-Interlace
Image Rotation	YES
Trigger Sensor	YES
Analog Video Resolution (MAX)	600 TV Line
Multi-lingual Language	English, Spanish, French, Russian, Portuguese

DIMENSIONS & WEIGHT	
Outline Dimension (W x H x D) (Including Stand)	29.92" x 19.63" x 7.08"
Net Weight / Gross Weight	27.62 lbs (12.53 kg) / 34.43 lbs (15.62 kg)

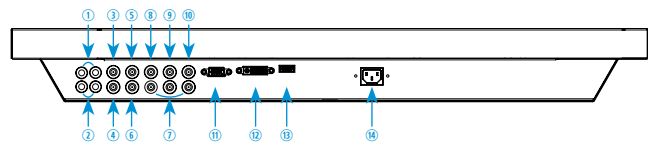
MOUNT	
VESA	200mm x 200mm / 4 x (M6x L8) Screws

GENERAL		
Power	Electrical Ratings	AC100 ~ 240V(50/60Hz)
	Consumption	≤ 48 W
Warranty	Parts/ Labor	3 Year / 3 Year
	MTBF (Approx.)	50,000 Hours
Operating Temperature		14 - 122°F / -10°C ~ 50°C
Regulation		CE , FCC (A), ROHS
Compatible Mounts	Wall	VZ-AM02, VZ-WM50
	Ceiling	VZ-CM06, VZ-CM18, VZ-CMKIT-01, VZ-CMKIT-02

DIMENSIONS



INTERFACE



- | | | |
|-----------------------------|----------------------|---------------------------|
| 1. AV AUDIO IN (L / R) | 6. AV (BNC) #2 OUT | 11. VGA (15 Pin D-Sub) IN |
| 2. YPbPr AUDIO IN (L / R) | 7. YPbPr (BNC) IN | 12. DVI IN |
| 3. AV (BNC) #1 IN | 8. AV (BNC) #3 IN | 13. HDMI IN |
| 4. AV (BNC) #1 OUT | 9. AV (BNC) #4 IN | 14. AC 110V IN |
| 5. AV (BNC) #2 IN | 10. AV (BNC) #5 IN | |

Contact ViewZ