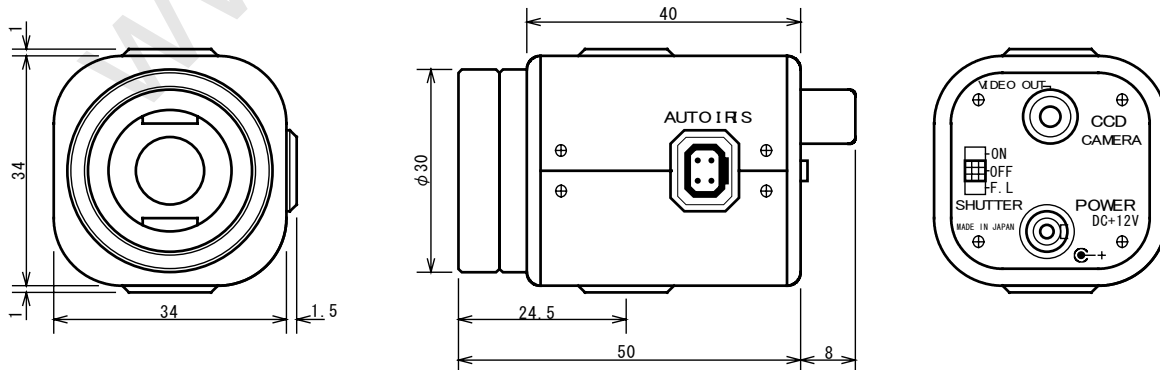


WAT-902B Monochrome camera

【SPECIFICATIONS】

Model	WAT-902B (EIA, CCIR)
Pick-up element	1/2inch Interline transfer CCD image sensor
Number of total pixels	811(H) × 508(V) (EIA), 795(H) × 596(V) (CCIR)
Number of effective pixels	768(H) × 494(V) (EIA), 752(H) × 582(V) (CCIR)
Unit cell size	8.4 μm(H) × 9.8 μm(V) (EIA), 8.6 μm(H) × 8.3 μm(V) (CCIR)
Scanning system	2:1 interlace
Synchronizing system	Internal
Video output	Composite Video, 1Vp-p, 75ohm Unbalanced
Resolution(Horizontal)	570TV lines(center)
Minimum illumination	0.03 lx. F1.4 (AGC Low) 0.003 lx. F1.4 (AGC High)
Gamma correction	$\gamma \doteq 0.45$ (ON), 1.0 (OFF)
AGC	Hi:5~32dB, Lo:5~12dB, OFF:fix10dB
S/N Ratio	50dB (AGC OFF, $\gamma=1$)
AE mode	Electronic iris: 1/60(EIA), 1/50(CCIR) ~ 1/100000sec. Flicker-less: shutter speed 1/100(EIA), 1/120(CCIR) OFF: 1/60(EIA), 1/50(CCIR)
Back light compensation	ON/OFF selectable
Lens mount	CS-mount
Installation screw	U 1/4inch (D=5mm) (Top/Bottom)
Connection terminal	Video out(RCA), Power, Auto iris
Power supply	DC +10.8~13.2V (12V ± 10%)
Current	Max. 135mA
Operating temperature	-10°C ~ +40°C
Storage temperature	-30°C ~ +70°C
Dimensions	35.5 (W) × 36 (H) × 58 (L) mm
Weight	Approx. 90g
Accessories	DC-plug (WPDC12), Iris-plug (AIC)

【DIMENSIONS】 (mm)



Distributed By: Audio Video Supply -- Tel: 1-800-284-2288 -- www.avsupply.com