

## 4 Channel Network Video Server



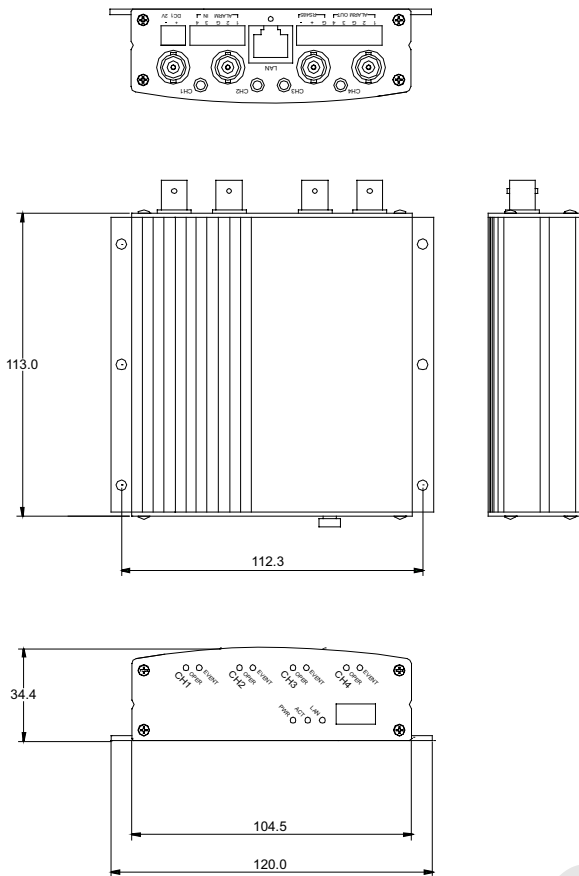
WDV-4000TX

### MAIN FEATURES

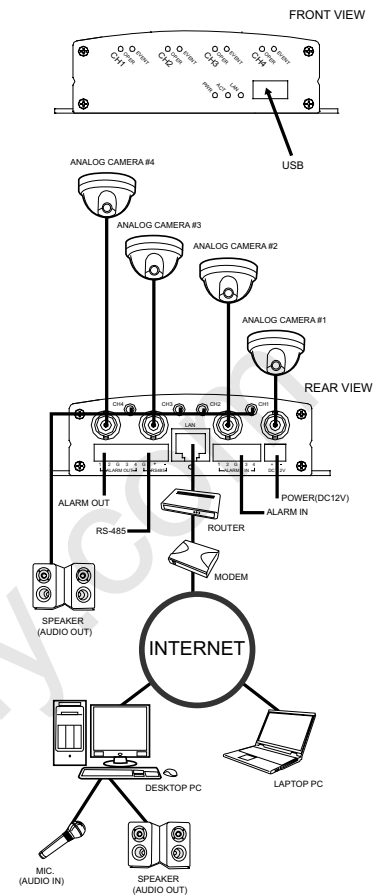
- SIF (352 X 288) at 120 fps / 4ch
- Monitor live video transmitted in real-time
- Simultaneous video and audio signal transmission
- Built-in Web Server and Network Interface
- No PC Needed for Operation - Standalone Unit
- Linux Based Operating System
- Embedded Motion Detection function
- Supports network environments
- Easy Firmware Update through Network
- E-mail and FTP transmission
- Digital sensor TTL input
- Alarm output
- RS485 interface for Pan, Tilt and Zoom control

# WDV-400TX

## DIMENSIONS



## CONFIGURATION



## SPECIFICATIONS

		NTSC	PAL
General	OS	Linux 2.4	
	Video Compression	MPEG-4	
Video & Audio	Image Resolution	704x480, 704x240 352x240, 160x240 160x96	VIDEO & AUDIO
	Frame rate	30fps @ D1	25fps @ D1
	Video Input	4CH	
	Audio Compression	G711 (Two-way Audio).	
	Network Protocol	TCP/IP, DHCP, FTP, SMPT, HTTP PPPoE, PPP, ARP, UDP	
Network	Bandwidth	Min. 32 Kbps to Max. 2 Mbps	
	System Requirements	Microsoft Window 98 SE or higher Intel Pentium 800MHz or faster / 256 MB or higher	
	Supported Web browser	Internet Explorer 6.x or later	
	Monitoring Tools	Web Browser or Monitor Software	
	Monitoring Via Network	Maximum 100 persons	
Other	Event Notification	Via-E-mail	
	Motion Detection	Yes (16 x 16)	
Mechanical	Operation Temperature	0°C ~ 50°C (32°F ~ 122°F)	
Connections	Alarm In/Out	4CH (NO, NC)/4CH (NO, NC)	
	Audio In/Out	4CH/4CH	
	Network	RJ-45 (10/100 Base-T)	
	RS-232C	Modem	
	Power Source	12 VDC/1A	
	Power Consumption	4 Watts	

For design help, accessories or pricing, please contact:  
sales@avsupply or call: 1-858-565-1101